



SHAEC26003349002

2026 02 06

1

8

- . & / 0 1 1 2 3 4 Ž ž ! "
- . 5 6 0 7 8 9 : ; 8 ' < , = > ? @ A B C 6 D

E F & / O J2G
- . G H I J O J05GK J1GK J3GK J5GK J10GK J20G
L f i e f m i j n - . o p q

SGSRSTDO TIC1020260202155010N0UI
EFUVWXO 2026Y 02Z 03[
\] ^ _ O 2026Y 02Z 03[~ 2026Y 02Z 06[
\] ` a O b c - . ` a \] Q
\] d e O f g h i Q
\] j k O f g h i Q

Table with 2 columns and 1 row containing regulatory text: mn RoHSop 2011/65/EUqr Ilstuoop (EU) 2015/863-v KwKxKy z { K | } ~ € (PBB)K | } , € f (PBDE)K , € , ...† , (2-† ^ %ˆ)Š (DEHP)K , € , ...† < ĆŠ (BBP)K , € , ...† , < Š (DBP)' , € , ...† , ' < Š (DIBP)

. . . " . ~ i / f i f l t t Ž ž ! "
\$ % &

Handwritten signature in Chinese characters: 盛雪箭

Sue Sheng ' ()
* " % + ,





:

E F > D	E F T D	SGSE F ID	E F ™ §
SN1	A1	SHA26-0033490-0001.C001	œŸ /j Ÿ ¢ 4

(1) 1 mg/kg = 1 ppm = 0.0001%

(2) MDL=

(3) ND = (< MDL)

(4) "-" =

RoHS	2011/65/EU	II	(EU) 2015/863-	(PBB)
(PBDE)	(2-)	(DEHP)	(BBP)
(DBP)	(DIBP)			

G H IEC 62321-4:2013+AMD1:2017E IEC 62321-5:2013E IEC 62321-7-2:2017E IEC 62321-6:2015' IEC 62321-8:2017E ¤ ¥ ICP-OES/AASE UV-Vis' GC-MS | § ¨ © Q

\] a «	ž -	- ®	MDL	A1
v (Pb)	1000	mg/kg	2	ND
w (Hg)	1000	mg/kg	2	ND
x (Cd)	100	mg/kg	2	ND
y z { (Cr(VI))	1000	mg/kg	8	ND
} ~ € - ' (PBB)	1000	mg/kg	-	ND
° } ~ € (MonoBB)	-	mg/kg	5	ND
, } ~ € (DiBB)	-	mg/kg	5	ND
± } ~ € (TriBB)	-	mg/kg	5	ND
² } ~ € (TetraBB)	-	mg/kg	5	ND
³ } ~ € (PentaBB)	-	mg/kg	5	ND
y } ~ € (HexaBB)	-	mg/kg	5	ND
´ } ~ € (HeptaBB)	-			



SHAEC26003349002

2026 02 06

3

8

\] ^a «	ž -	- ®	MDL	A1
¶ } , € f (NonaBDE)	-	mg/kg	5	ND
· } , € f (DecaBDE)	-	mg/kg	5	ND
„ € , ...† , (2-† ^ %oˆ)Š (DEHP)	1000	mg/kg	50	ND
„ € , ...† < ĆŠ (BBP)	1000	mg/kg	50	ND
„ € , ...† , < Š (DBP)	1000	mg/kg	50	ND
„ € , ...† , ' < Š (DIBP)	1000	mg/kg	50	ND

(1) ° » ¼½¾ž - ě ¥ Å RoHS o p (EU) 2015/863Q

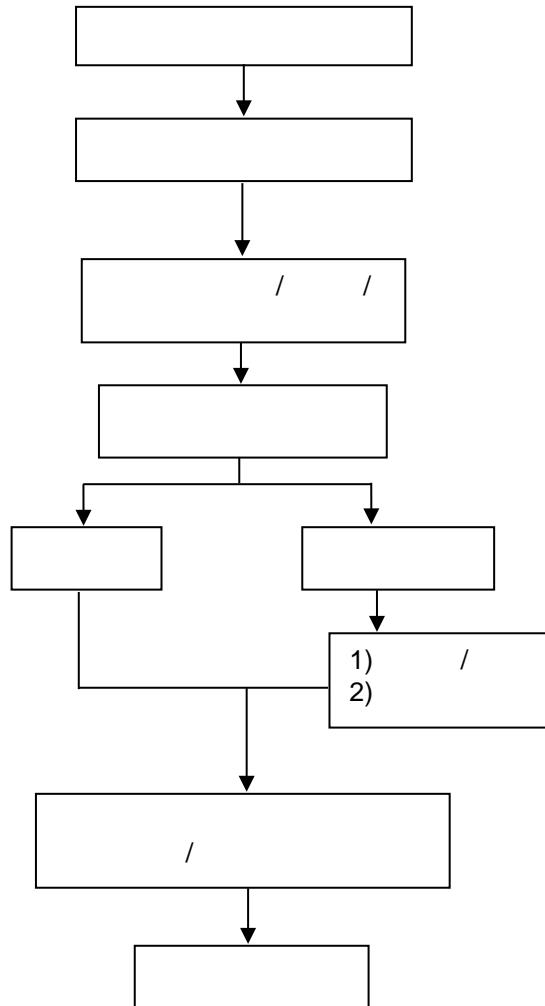
(2) IEC 62321 Á Ā Ą Ą Ą EN 62321 Á Ā Q

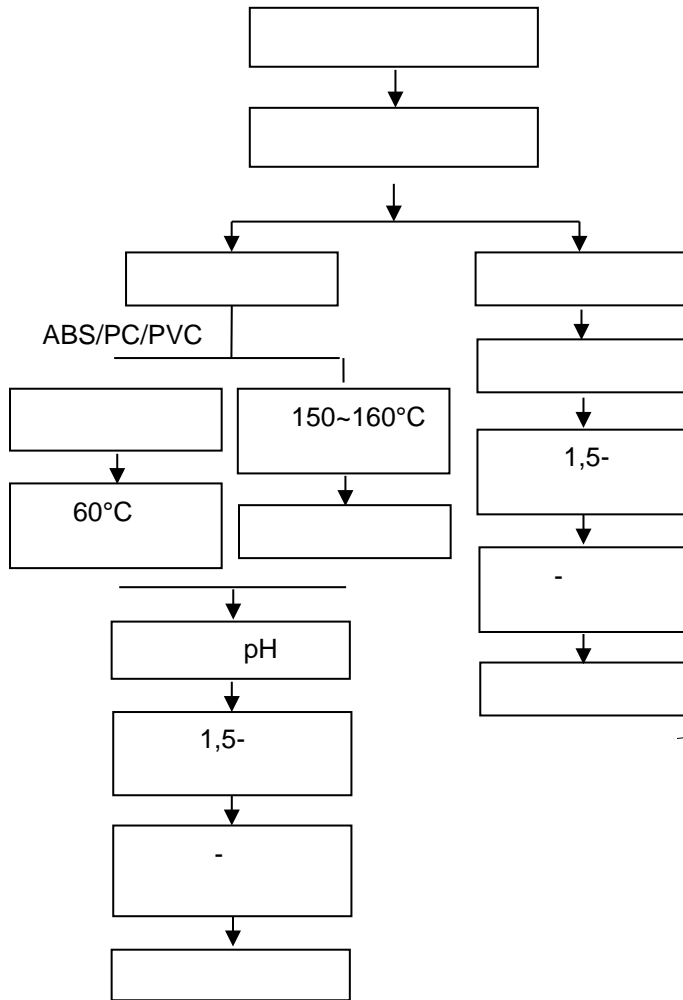
(3) 2021 Y 7Z 22D ÆÇ £ DEHP£ BBP£ DBP ' DIBP s ž È É ¥ Ā Ê Ë Ì Í Ľ Ĩ Ĵ —Ê Ë Ì Í Ľ Đ Ñ Ò Ó Ľ Ĩ Ĵ R > Đ] ' Ñ È Ò Ľ Q

Ô Õ Ö Ž × Ø £ Ğ Û ILAC-G8:09/2019£ Ú ¥ Û – U Ü fi w=0t s , Ý Þ ß à á | § “ ” â þ ß Q

Õ Ö Ö Ž × Ø £ ä å å j k æ ç \] s E F è é Q è ä å è ì ê ! " í î ½ ĩ £ ð ï • " ñ È Q

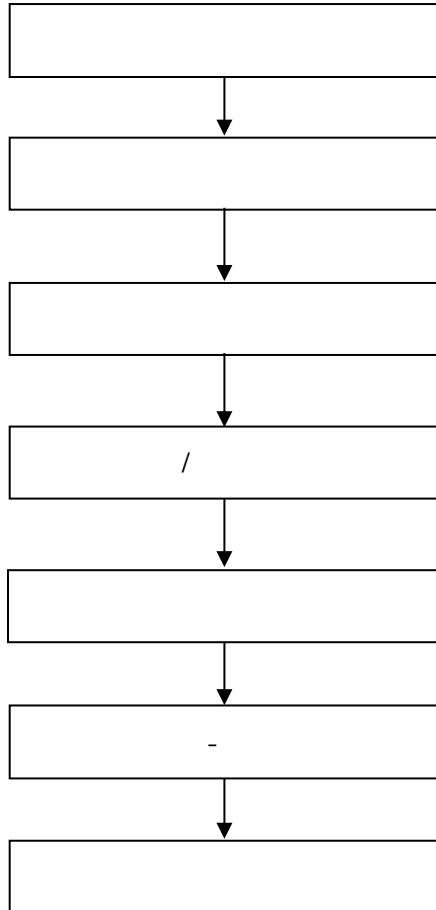
\] ä å æ ¥ Å - . < ò K ó ô K õ • ö ÷ Ñ È K = F ò ø Å « s £ æ P ö • G H Q







PBB(s)/PBDE(s)





SHAEC26003349002

2026 02 06

7

8

Phthalates



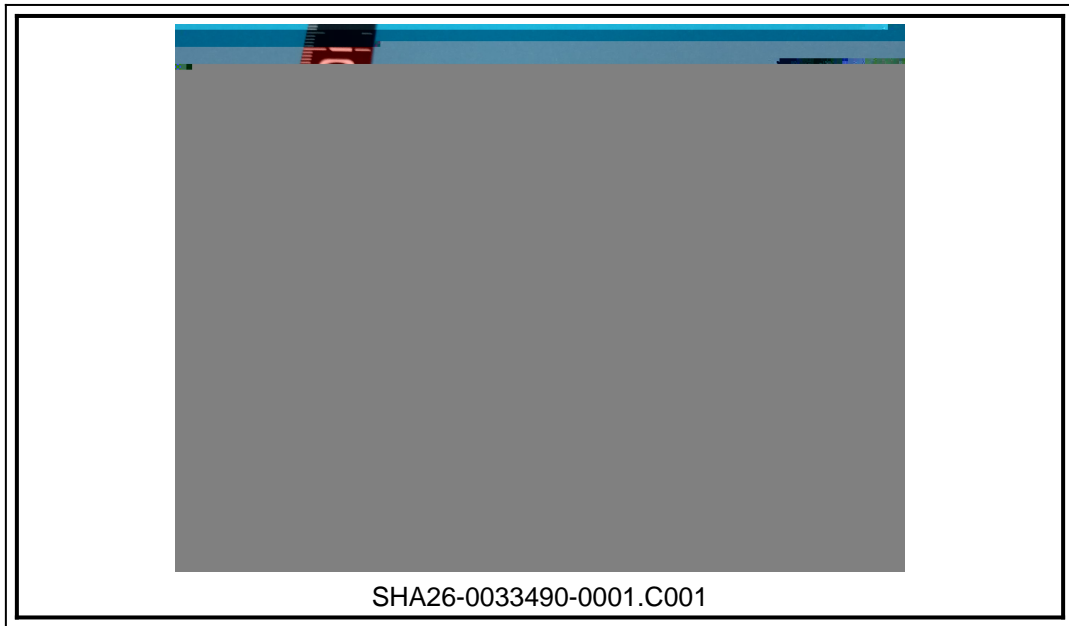


SHAEC26003349002

2026 02 06

8

8



ã Û ù æž Å ú SGSu ê ä å Ú ¥
*** **