



JST41Z-800TW 40A TRIAC

Rev.A.1.1

DESCRIPTION:

AC 800W 40A TRIAC

AC 800W 40A TRIAC

AC 800W 40A TRIAC

AC 800W 40A TRIAC

AC 800W 40A TRIAC

AC 800W 40A TRIAC

AC 800W 40A TRIAC

AC 800W 40A TRIAC

AC 800W 40A TRIAC

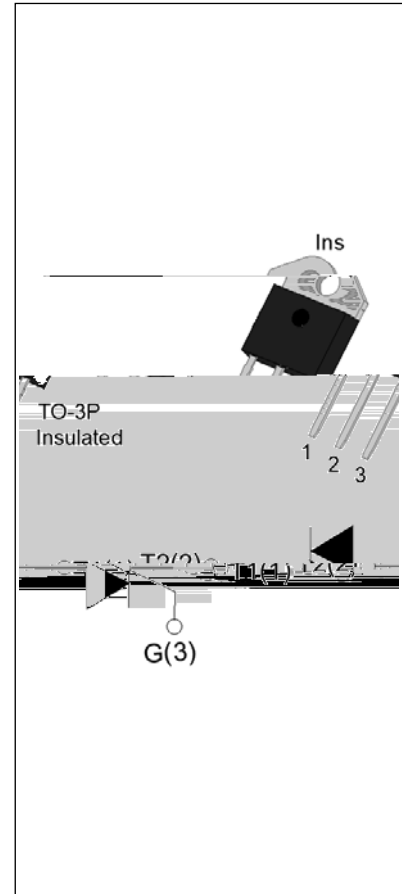
AC 800W 40A TRIAC

AC 800W 40A TRIAC

800W

-800TW

-3R



MAIN FEATURES

Symbol	Value	Unit
I_{RM}	40	A
V_{DRM} / V_{RM}	800	V
$I_{GT} / /$	5/5/5	A

ABSOLUTE MAXIMUM RATINGS

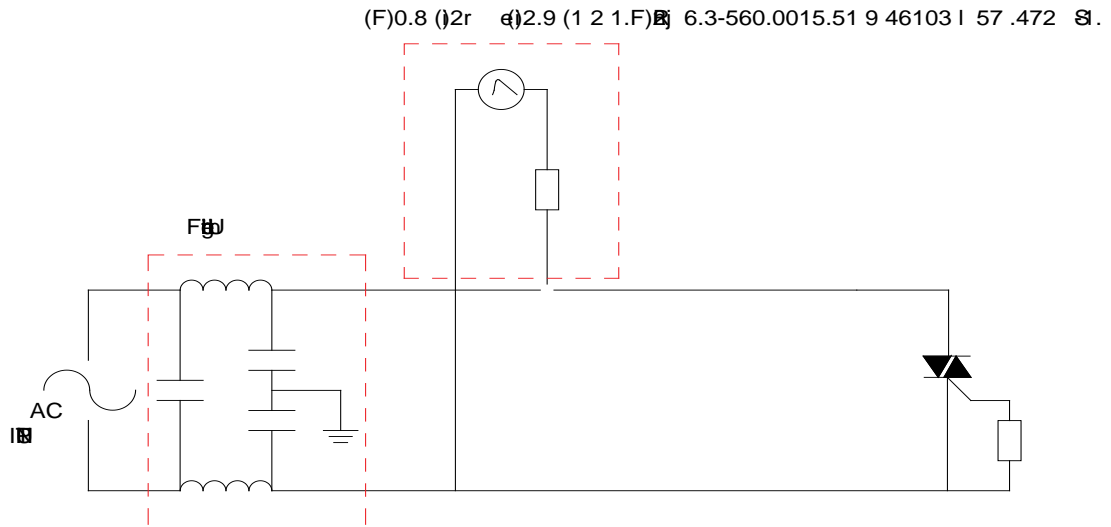
Parameter	Symbol	Value	Unit
Storage Temperature	T_{stg}	-40-150	
Junction Temperature	T_j	-40-125	
Reverse Blocking Voltage (j=25 °C)	V_{DRM}	600	V
Forward Voltage (j=25 °C)	V_{FM}	600	V
Peak Forward Current (c 81 °C)	I_{FM}	40	A
Non-repetitive Peak Forward Current (p=20ms, j=25 °C)	I_{FSM}	420	A
Non-repetitive Peak Forward Current (p=16.6ms, j=25 °C)		462	
Forward Surge Current (p=10ms, j=25 °C)	I^2t	1000	A ² s
Gate Trigger Current (I _G =2x I _{GT} , f=100Hz, T _j =125 °C)	I_{GT}	50	A/μs

JST41Z-800TW

JieJie

FIG.7

-61000-4-5



ORDERING INFORMATION

Order code	Voltage $V_{DRM}/V_{RRM}(V)$	IGT(mA) H I- J I	Package Tm 93	Base qty. (pcs) /Span	Delivery mode 4-
------------	---------------------------------	---------------------	------------------	-----------------------------	------------------------

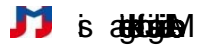
Information
JST41Z-800TW
Microelectronics
JieJie Microelectronics
Co., Ltd.

Address: No. 100, Xiangyin Road, Xiangyin District, Wenzhou City, Zhejiang Province, China

Phone: +86 577 86528666

Website: <http://www.jjwdz.com>

© 2025 JieJie Microelectronics Co., Ltd.



Co., Ltd.

© 2025 JieJie Microelectronics Co., Ltd.