



JST30C-800BW 30A TRIAC

Rev.A.1.1

DESCRIPTION:

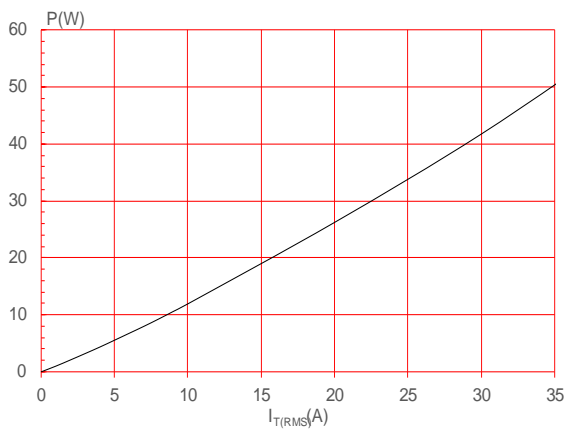
The JST30C-800BW triac is suitable for general purpose AC switching. It can be used as an ON/OFF function in applications such as heati

( (h ic)14 ((2.13)TJ)6)9.96ase)10)9.9 i)12(f)-8s(n)10 (e (ne)c16)TJ i (n

Peak pulse voltage ( $T_j=25$ ; non-repetitive, off-state; FIG.7)	$V_{pp}$	2.5	kV
--	----------	-----	----

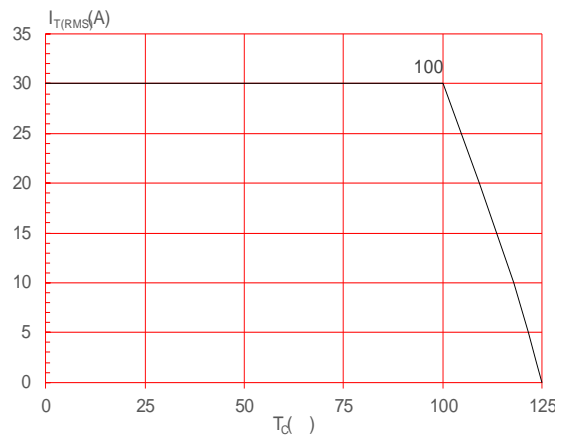
**JST30C-800BW**

**FIG.1:** Maximum power dissipation versus RMS on-state current



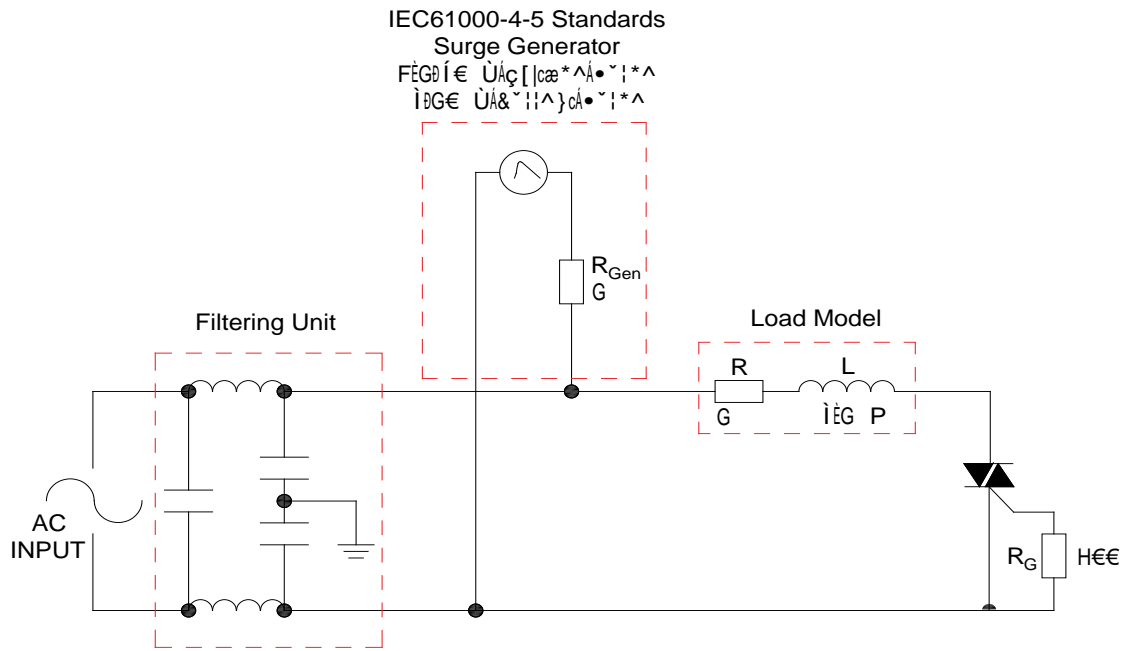
**FIG.3:** Surge peak on-state current versus number of cycles

**FIG.2:** RMS on-state current versus case temperature



**FIG.4:** On-state characteristics

FIG.7 Test circuit for inductive and resistive loads to IEC-61000-4-5 standards



**ORDERING INFORMATION**

Order code	Voltage $V_{DRM}/V_{RRM}$ (V)	IGT(mA)	Package	Base qty. (pcs)	Delivery mode
		- -			
<b>JST30C-800BW</b>	<b>800</b>	<b>50</b>	<b>TO-220C</b>	<b>50</b>	<b>Tube</b>

**Document Revision History**

Date	Revision	Changes
Apr.11, 2023	A.1.0	Last updated
Oct.15, 2025	A.1.1	Revise PACKAGE MECHANICAL DATA

PACKAGE MECHANICAL DATA h c3036673Do Q EMCN 0 w 2 J 0 0 m 7 -9 I S Q q 0

0n.02Mn.054.4.4L14.9.336d [(M)-14C7 (i)-6.3 (n.14(.)-12.80f)0C7TJ 4.274-14C7 (i)-6.3



Information furnished in this document is believed to be accurate and reliable. However, Jiangsu JieJie Microelectronics Co., Ltd. assumes no responsibility for the consequences of use without consideration for such information nor use beyond it. Information mentioned in this document is subject to change without notice, apart from that when an agreement is signed, Jiangsu JieJie complies with the agreement.

-513 Comment. de (i)6 CID 32 >>BDCD 33 >>BDC 0.004 Tc -0.00299C /78C / 56.6(er)7 ( )Tjas c(er)7 (