



JST16A-1200CW 16A TRIAC

Rev.A.1.1

DESCRIPTION:

The JST16A-1200CW triac is suitable for general purpose AC switching. It can be used as an ON/OFF function in applications such as heating regulation, induction motor starting circuits, for phase control operation in light dimmers, motor speed controllers. JST16A-1200CW snubberless triac is especially recommended for use on inductive loads. By using an internal ceramic pad, JST16A-1200CW provides a rated insulation voltage of 2500 VRMS, complying with UL standards (File ref: E252906). Package TO-220A is RoHS compliant.

MAIN FEATURES

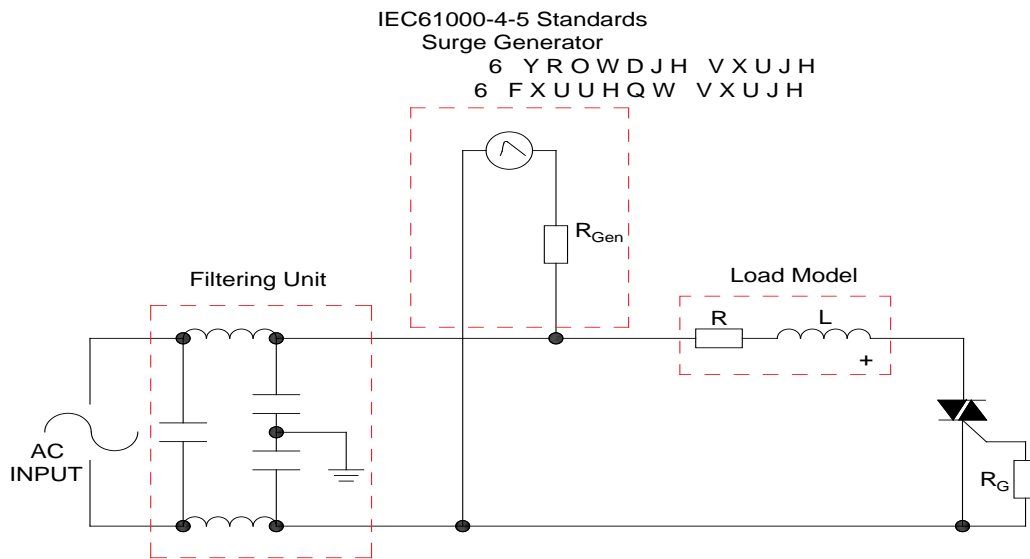
ABSOLUTE MAXIMUM RATINGS

Parameter	Symbol	Value	Unit
Storage junction temperature range	T_{stg}	-40-150	
Operating junction temperature range	T_j	-40-125	
Repetitive peak off-state voltage ($T_j=25$)	V_{DRM}	1200	V
Repetitive peak reverse voltage ($T_j=25$)	V_{RRM}	1200	V
RMS on-state current (T_c 80)	$I_{T(RMS)}$	16	A
Non repetitive surge peak on-state current (full cycle , $t_p=20ms$, $T_j=25$)	I_{TSM}	160	A

Peak gate power	P_{GM}	10	W
Peak pulse voltage ($T_j=25$)			

FIG.1:

FIG.7 Test circuit for inductive and resistive loads to IEC-61000-4-5 standards



LEAD FORMING AND SOLDERING

Refer to the application note “Assembly Instructions for Thyristors in Through-hole Package” released by JieJie Microelectronics

ORDERING INFORMATION

Order code	Voltage V_{DRM}/V_{RRM} (V)	IGT(mA)	Package	Base qty. (pcs)	Delivery mode
		H- I- J			
JST16A-1200CW	1200	35	TO-220A(Ins)	50	Tube

Document Revision History

Date	Revision	Changes
------	----------	---------

Apr.12,

PACKAGE MECHANICAL DATA

