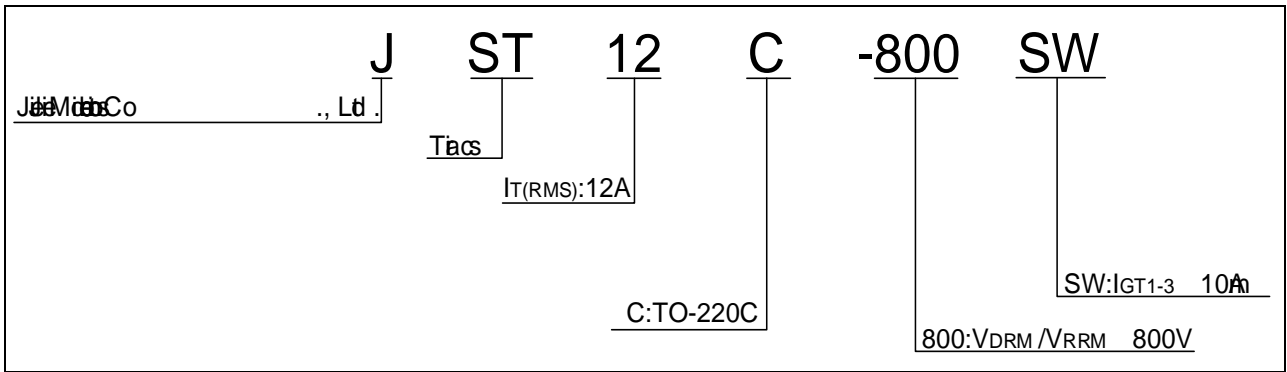




JST12C-800SW 12A TRIAC

ORDERING INFORMATION



MARKING



FIG.1: Main RMS
0 10 20

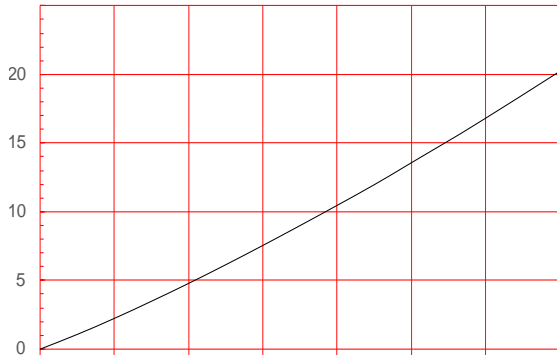


FIG.2: RMS
0 10 20

ORDERING INFORMATION

Order code	Voltage V _{DRM} /V _{RRM} (V)	IGT(mA)	Package	Base qty. (pcs)	Delivery mode
		- -			
JST12C-800SW	800	10	TO-220C	50	Tube

Document Revision History

Date	Rev	Change
Apr 1, 2023	A.1.0	Initial
Oct 15, 2025	A.1.1	Rev PACKAGE MECHANICAL DATA

© 2025 JieJie Microelectronics Co., Ltd.
All rights reserved.
This document is the property of JieJie Microelectronics Co., Ltd.
No part of this document may be reproduced, stored in a retrieval system, or transmitted in any form or by any means, electronic, mechanical, photocopying, recording, or otherwise, without the prior written permission of JieJie Microelectronics Co., Ltd.



JieJie Microelectronics Co., Ltd.

Co., Ltd.

© 2025 JieJie Microelectronics Co., Ltd.