



JST12A-800B 12A TRIAC

Rev.A.1.1

DESCRIPTION:

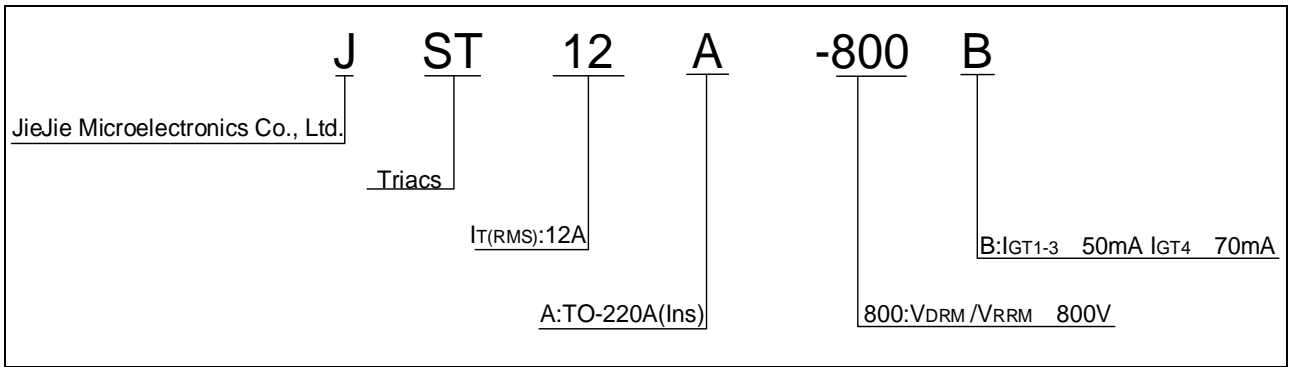
The JST12A-1 0 Td [1 1 Tf 0 Tc.4911 Td[(h0)-0.6 (0B)]TJc 0.01340 Tw 10 0 Td(-1 0 Td [1 1 TJ

Peak pulse voltage ($T_j=25$; non-repetitive,off-state;FIG.7)	V_{pp}	2	kV
--	----------	---	----

ELECTRICAL CHARACTERISTICS ($T_j=25$ unless otherwise specified)

Symbol	Test Condition	Quadrant	Value	Unit	
I_{GT}	$V_D=12V R_L=33$	- -	MAX.	50	mA
				70	
V_{GT}		ALL	MAX.	1	V
V_{GD}					

ORDERING INFORMATION



MARKING

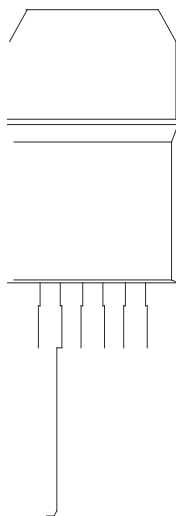


FIG.1: Maximum power dissipation versus RMS on-state current



FIG.2: RMS on-state current versus case temperature

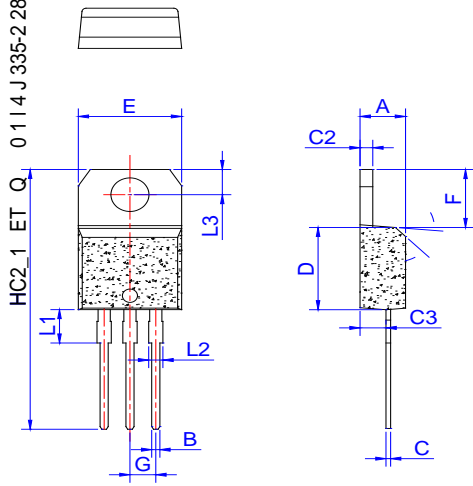
ORDERING INFORMATION

Order code	Voltage V_{DRM}/V_{RRM} (V)	IGT(mA)		Package	Base qty. (pcs)	Delivery mode
		-	-			
JST12A-800B	800	50	70	TO-220A(Ins)	50	Tube

Document Revision History


Date	Revision	Changes
Apr.14, 2023	A.1.0	Last updated
Oct.13, 2025	A.1.1	Revise PACKAGE MECHANICAL DATA

PACKAGE MECHANICAL DATA



Information furnished in this document is believed to be accurate and reliable. However, Jiangsu JieJie Microelectronics Co., Ltd assumes no responsibility for the consequences of use without consideration for such information nor use beyond it. Information mentioned in this document is subject to change without notice, apart from that when an agreement is signed, Jiangsu JieJie complies with the agreement.

Products and information provided in this document have no infringement of patents. Jiangsu JieJie assumes no responsibility for any infringement of other rights of third parties which may result from the use of such products and information. This document supersedes and replaces all information previously supplied.

 is a registered trademark of Jiangsu JieJie Microelectronics Co., Ltd.
Copyright © 2025 Jiangsu JieJie Microelectronics Co., Ltd. All rights reserved.