

-67) % \$ 75, \$ &

5HY \$

^ Z/Wd/KEW

7KH -67) % WULDF LV VXLWDEOH IRU JHQHUDO SXUSRVH
\$& VZLWFKLQJ ,W FDQ EH XVHG DV DQ 21 2)) IXQFWLRQ
LQ DSSOLFDWLRQ QJ V X F X D D W H B W L Q G X F W L R Q
PRWRU VWDUWU Q S K B W H F X B W W D W R Q L Q
OLJKW GLPPHUV FR R W R B O S H U G % \ X V L Q J D Q
H [W H U Q D O S O D W L F S D F S D J R Y L G H V D U D W H G
L Q V X O D W L R Q Y R O W D F R R S O \ L Q 9 5 Z L W K 8 /
V W D Q G D U G V) L O H U H I (3 D F N D J H 7 2) L V
5 R + 6 F R P S O L D Q W

D /E & dhZ ^

^K>hd D y/DhD Z d/E'^^

3DUDPHWHU	6\PERO	9DOXH	
6WRUDJH MXSDFULRQWHPDQJHVWJ		7	
2SHUDWLQJWHKCSHWLDRQXUH	UDQJH	7	
5HSHWLWLYH SHDN RMI VW DW 950YR	OWDJH	7	9
5HSHWLWLYH SHDN WHYHUVH95R	OWDJH	7	9
506 RQ VWDWH & FXUUHQW	7 ,7 506		

8QLW

\$

1RQ UHSHWLWLYH VXUJH SHDN RQ VWDWH FXUUHQW
IXOO F) F Q W W

,760

-67) %

-LH-LH 0LFURHOHFWURQL

3HDN SXOVH YROWDJH			
7M QRQ UHSHWLWLYH RII VWDWH),*	933		

9

> dZ/ > , Z d Z d / XQOHVV RWKHUZLVH VSHFLILHG

6\PERO	7HVW &RQGLWLRQ	4XDGUDQW	9DOXH
,7		0\$;	P\$

9 9 5

--	--	--	--

7 (/Æ			
-------	--	--	--

KWWS ZZZ MMZG] FR

- 67) %

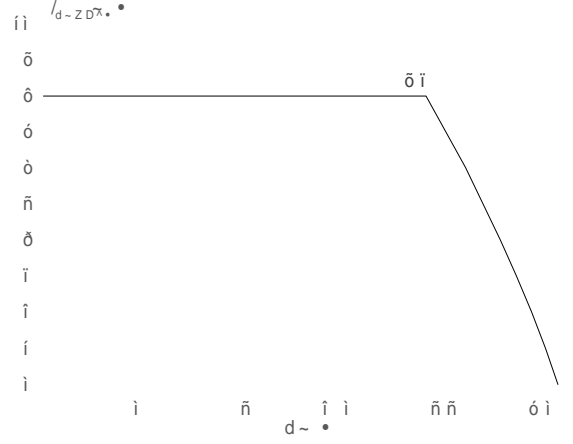
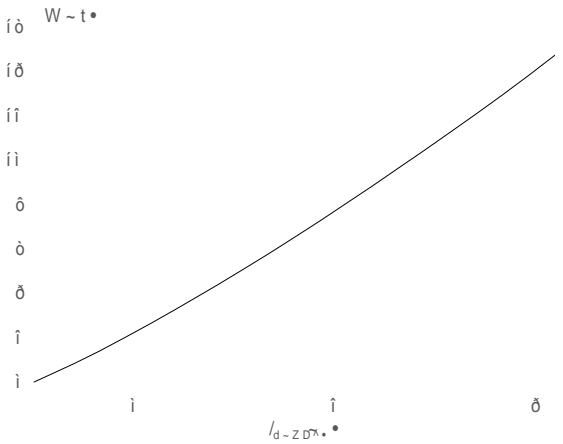
- LH-LH 0LFURHOHFWURQL

KZ Z/E' /E&KZD d/KE

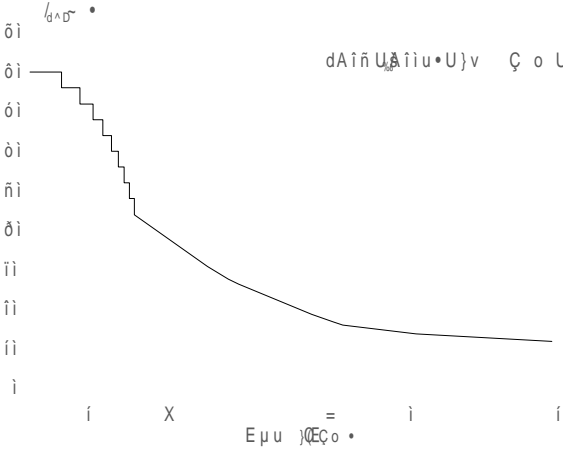
- 67) %

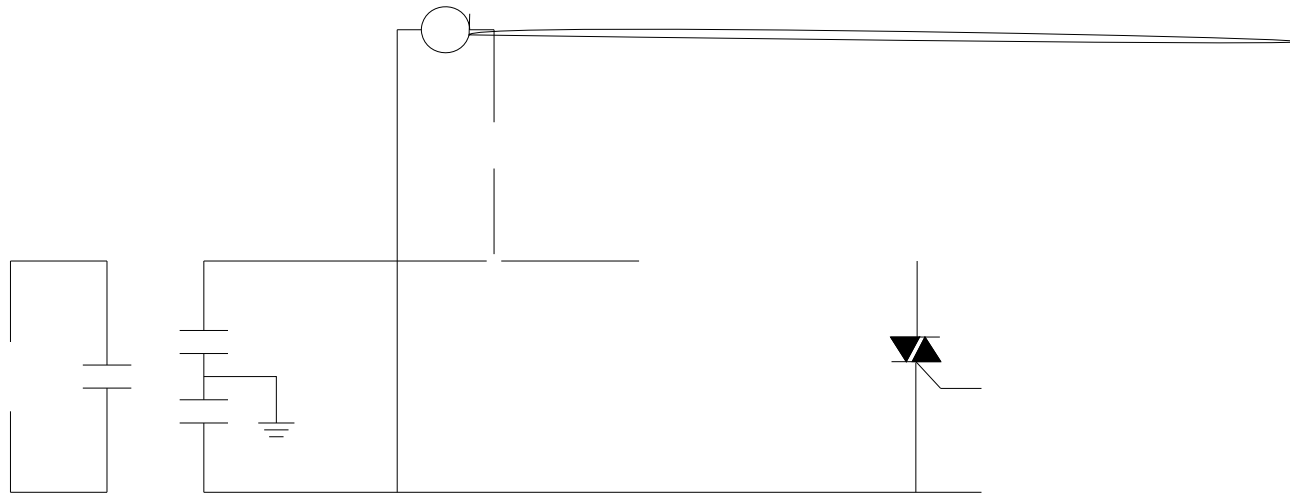
-LH-LH 0LFURHOHFWURQLFV &R /WGpÀ -BD(ì W D\$²4À\$²)CE•7'y...G,À p€•p 0 r(P<,'0 • 0

),* 0D[LPXP SRZHU GLVVLSDWLRQ Y,HU5X6 RQ6 VWDWH FXUUHQW YHU
RQ VWDWH FXUUHQW WHPSHUDWXUH



),* 6XUJH SHDN RQ VWDWH FXUUHQW YHU VWDWH FKDUDFWHULVWL
QXPEHU RI F\FOHV





-67) %

-LH-LH 0LFURHOHFWURQL

KZ Z/E' /E&KZD d/KE

2UGHU FR	9ROWD 9.50 9.50 9	,*7 P\$		3DFNDJ	%DVH SFV	'HOLYHU\ PRGH
-67) %				72)	,QV	7XEH

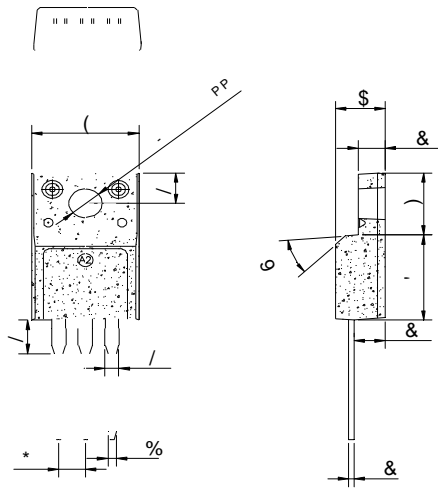
'RFXPHQW 5HYLVLRQ +LVWRU\

'DWH	5HYLVLRQ	&KDQJHV
\$SU	\$	/DVW XSGDWHG
2FW	\$	5HYLVLRQ.\$*(0(&+\$1,&\$/ '\$7\$

-67) %

-LH-LH 0LFURHOHFWURQL

W < ' D , E / > d



'LPHQVLRQV
 5 HI 0LOOLPHWHUV ,QFKHV
 0LQ

,QIRUPDWLRQ IXUQXPHQW ILQ WKOLHGRHG WR EH DFFXUDWH D
 -LDQJVVX -LH-LH 0LFURHOHFWURQLFV &W\ I/RUGWDMV XRIQW HQRX
 XVH ZLWKRXW FRQVWGLQJ BWRBQURQ QRU XVH EHIRQG LW ,
 WKLV GRFXPHQWKDQVXZNLMPVR XWR FRMLWHZ KDSDDQ DUBPHPH
 VLJQHGH -LDQJVVXOLHVLZILWRKPWKH DJUHHPHQW
 3URGXFWV DQG LQIRURDWWKLRQ GRURXFLGHG KDYH QR LQIULQJ
 -LDQJVVX -LH-LH DVVXIPHLOQR\ UIRVSRQWIRQKHQJHHPJKWW RI W
 SDUWLHV ZKLFK PDMXWVXQIW XURPSWB B WWRQD QK ILQGRFXPH
 VXSHUVHGHV DQG UHSODFHV DOO LQIRUPDWLRQ SUHYLRXV
 LV D UHJLVWHUHGDQJDXGLHDUN RUF-URHOWHFWURQLFV &
 &RS\ULJKW < -LDQLFURHLOHEMURQUEYK&RV U/HMGHUSYHGH