



JST04K-800CW-US 4A TRIAC

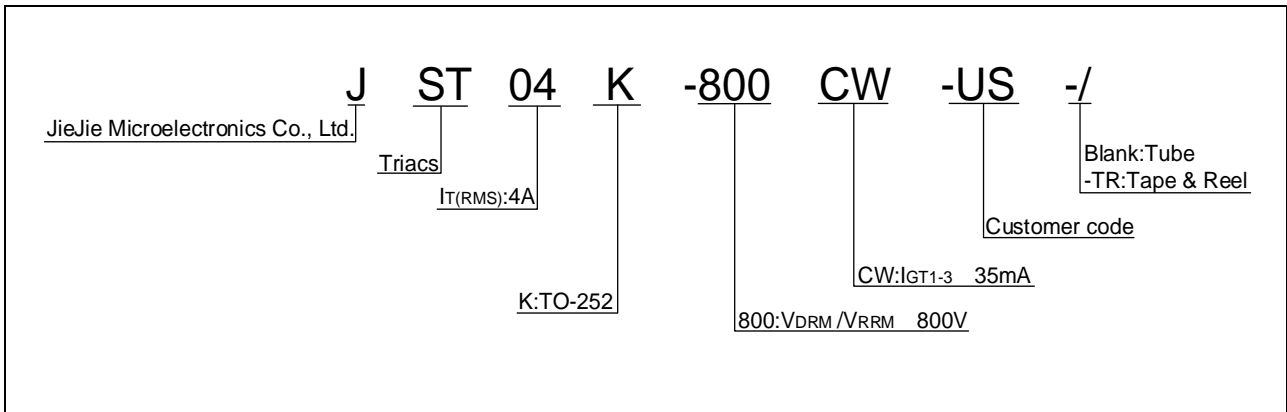
Rev.M-1

DESCRIPTION:

The JST04K-800CW-US triac is suitable for general purpose AC switching. It can be used as an ON/OFF function in applications such as heating regulation, induction motor starting circuits, for phase control operation in light dimmers, motor speed controllers. JSF4K 0CW

ELECTRICAL CHARACTERISTICS ie

ORDERING INFORMATION



MARKING

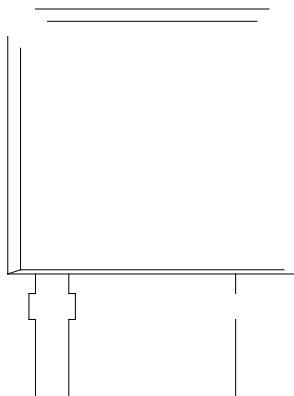


FIG.7: Relative variations of gate trigger current, holding current and latching current versus junction temperature

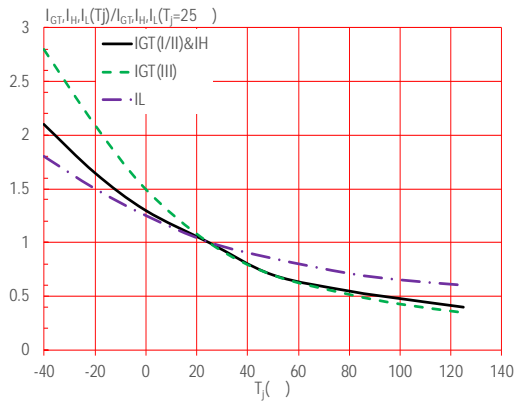
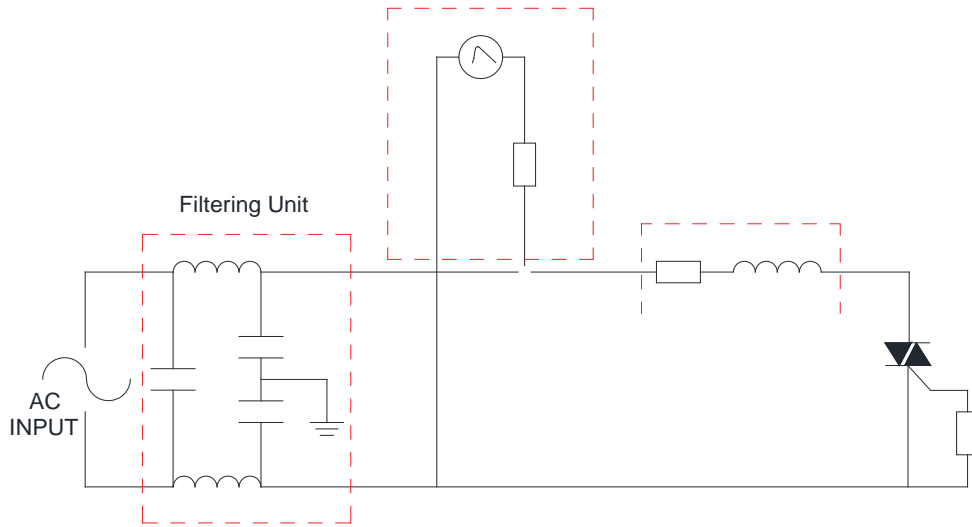


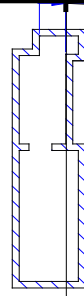
FIG.8 Test circuit for inductive and resistive loads to IEC-61000-4-5 standards

IEC61000-4-5 Standards
Surge Gene2208512 638EC61000-4-5 St/C2_2T /Tf5.6 (P (4-)(t)3r




ORDERING INFORMATION

Order code	Voltage V _{DRM} /V _{RPM} (V)	IGT(mA)	Package	Base qty. (pcs)	Delivery mode	
JST04K-800CW-US	800	35	TO-252	80	T	-800CW-US-



Information furnished in this document is believed to be accurate and reliable. However, Jiangsu JieJie Microelectronics Co., Ltd. assumes no responsibility for the consequences of use without consideration for such information nor use beyond it. Information mentioned in this document is subject to change without notice, apart from that when an agreement is signed, Jiangsu JieJie complies with the agreement.

Products and information provided in this document have no infringement of patents. Jiangsu JieJie assumes no responsibility for any infringement of other rights of third parties which may result from the use of such products and information. This document supersedes and replaces all information previously supplied.

 is a registered trademark of Jiangsu JieJie Microelectronics Co., Ltd.

Copyright ©2023 Jiangsu JieJie Microelectronics Co., Ltd. All rights reserved.