



JIEJIE MICROELECTRONICS CO., LTD.

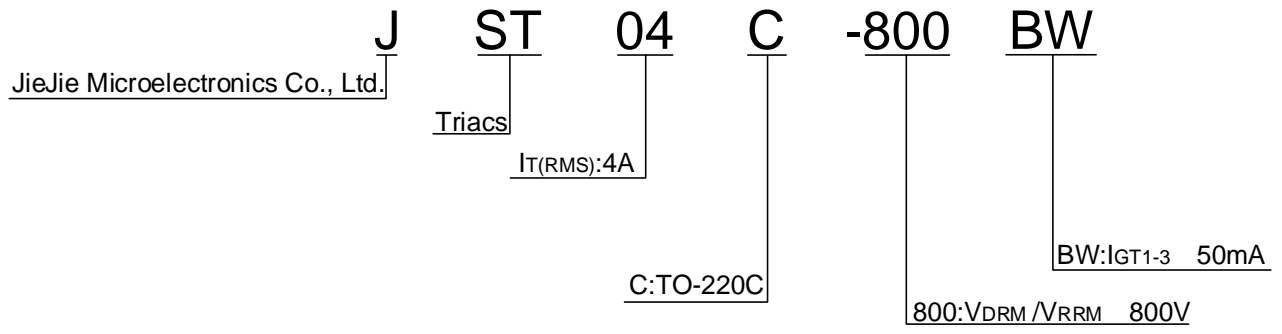
JST04C-800BW 4A TRI[(0)-0.6 (608 -T)-25.4 9(0)-0.6 (3 (613.7 (112]TJ 0 T∅.0T∅.50

voltage (non-repetitive, off-state; FIG.7)	V_{pp}	4	kV
---	----------	---	----

TYPICAL CHARACTERISTICS (unless otherwise specified)

T_{ch}	Q_{ch}	V_a	U_h
$V_D=12V R_L=33$	- -	MAX	

ORDERING INFORMATION



ORDERING INFORMATION

Order No.	V _{DRM} /V _{R_{RRM}} (V)	IGT (A)	Pkg	Bore (mm)	Depth (mm)
		-			
JST04C-800BW	800	50	TO-220C	50	16

Changes

Date	Revision	Changes
Apr.11, 2023	A.1.0	Last updated
Oct.15, 2025	A.1.1	Revise PACKAGE MECHANICAL DATA

PACKAGE MECHANICAL DATA



