



JST04C-600BW 4A TRIAC

Rev.A.1.1

The JST04C-600BW triac is suitable for general purpose AC switching. It can be used as an ON/OFF function in applications such as heating regulation, induction motor starting circuits, for a (c)4 (o)10 ((t)2 (r)7 oal)6 ((o)10 pe(r)7 ((t)2 (i)6 (on i)6 (npl)6 (i)6 ng)10 h(t)2 (

Peak pulse voltage ($T_j=25$; non-repetitive, off-state; FIG.7)	V_{pp}	4	kV
--	----------	---	----

($T_j=25$ unless otherwise specified)

Symbol	Test Condition	Quadrant	Value		Unit
I_{GT}	$V_D=12V$ $R_L=33$	- -	MAX.	50	mA
V_{GT}			MAX.	1	V
V_{GD}	$R_L=3.3k$		MIN.	0.2	V
I_L	$I_G=1.2I_{GT}$		MAX.	70	mA

, T7 >> BDC 0.0070 0 1

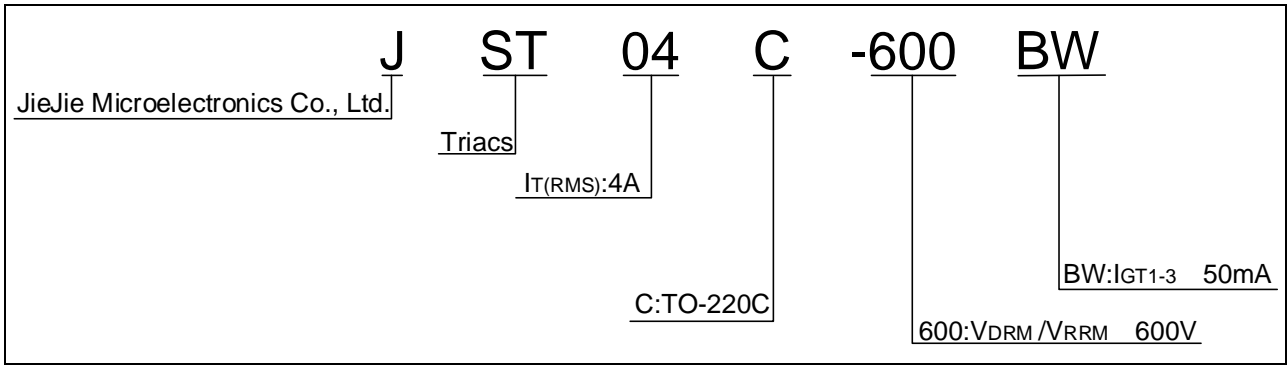


FIG.1: Maximum power dissipation versus RMS on-state current

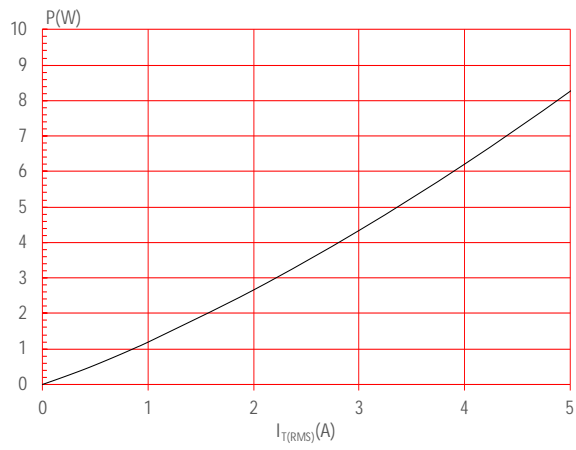
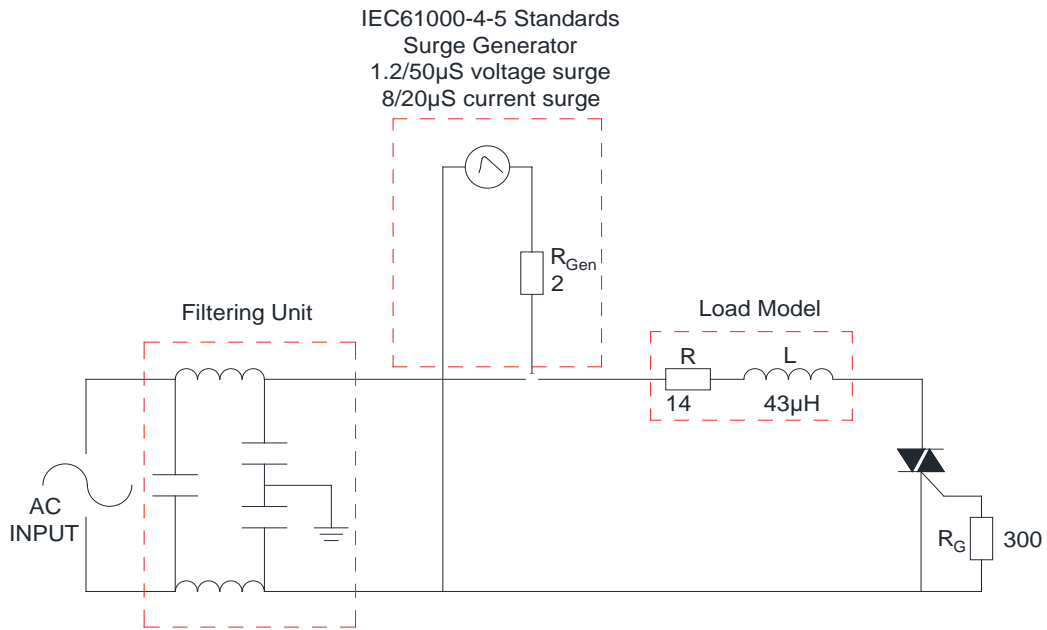


FIG.2: RMS on-state current versus case temperature



FIG.7 Test circuit for inductive and resistive loads to IEC-61000-4-5 standards



Order code	Voltage V_{DRM}/V_{RRM} (V)	IGT(mA)	Package	Base qty. (pcs)	Delivery mode
		- -			
JST04C-600BW	600	50	TO-220C	50	ha Tube



