



T3035H6Z 3A TRIAC

Rev. A. 1.1

DESCRIPTION:

The T3035H6Z triac is suitable for general purpose AC switching. It can be used as an ON/OFF function in applications such as heating regulation, induction motor starting circuits, for phase control operation in light dimmers, motor speed controllers compared to traditional triacs. T3035H6Z provides a very high switching capability up to junction temperatures of 150°C using an internal ceramic pad, T3035H6Z provides a rated insulation voltage of 2500 VRMS, complying with UL standards (File ref: E252906). Package TO-3P is RoHS compliant.

MAIN FEATURES

ABSOLUTE MAXIMUM RATINGS

Parameter	Symbol	Value	Unit	Package
-----------	--------	-------	------	---------

Average gate power dissipation $\eta$ (T50 )	$P_{G(AV)}$	1	W
Peak gate power	$P_{GM}$	10	W
Peak pulse voltage ( $T_j=25$ ; non-repetitive, of state; FIG.7)	$V_{pp}$	1	kV

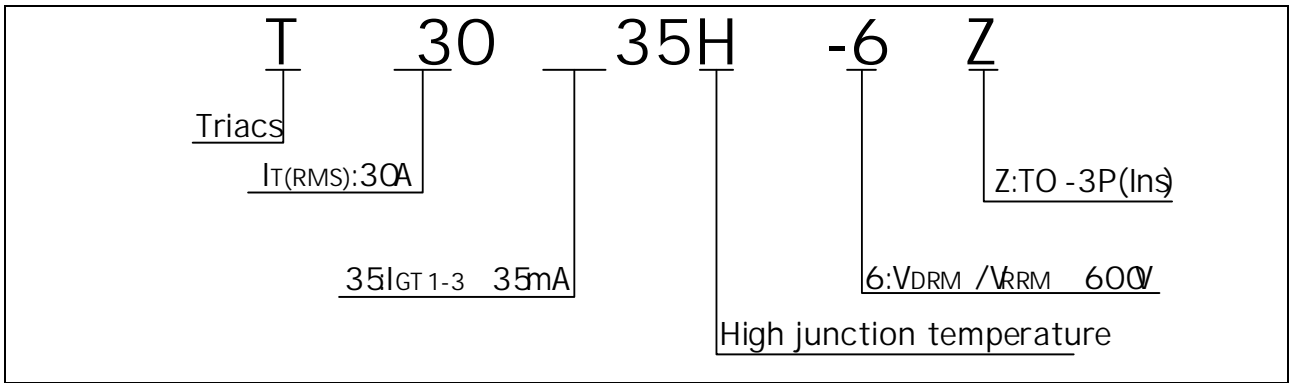
### ELECTRICAL CHARACTERISTICS (T<sub>j</sub>=25 unless otherwise specified)

Symbol	Test Condition	Quadrant	Value		Unit
$I_{GT}$	$V_D = 12V$ $R_L = 33$	- -	MAX.	35	mA
$V_{GT}$		- -	MAX.	1.3	V
$V_{GD}$	$V_D = V_{DRM}$ $T_j = 150$ $R_L = 3.3k$	- -	MIN.	0.15	V
$I_L$	$I_G = 1.2I_{GT}$	-	MAX.	70	mA
				80	
$I_H$	$I_T = 500mA$		MAX.	50	mA
$dV/dt$	$V_D = 400V$ Gate Open $T_j = 150$		MIN.	1200	V/s
$(dI/dt)_c$	$G_9$ $G_W$ $F_j = 150$ $V$ 7		MIN.	18	A/ms
$t_{on}$	$I_G = 40mA$ $I_A = 200mA$ $I_R = 20mA$ $T_j = 25$		TYP.	10	s
$t_{off}$				80	

### STATIC CHARACTERISTICS

Symbol	Parameter	Value(MAX.)	Unit
--------	-----------	-------------	------

ORDERING INFORMATION



MARKING

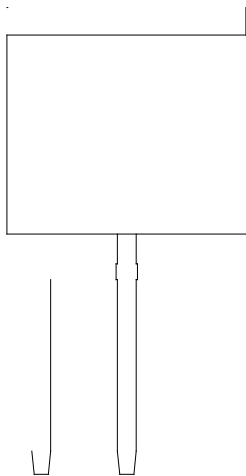
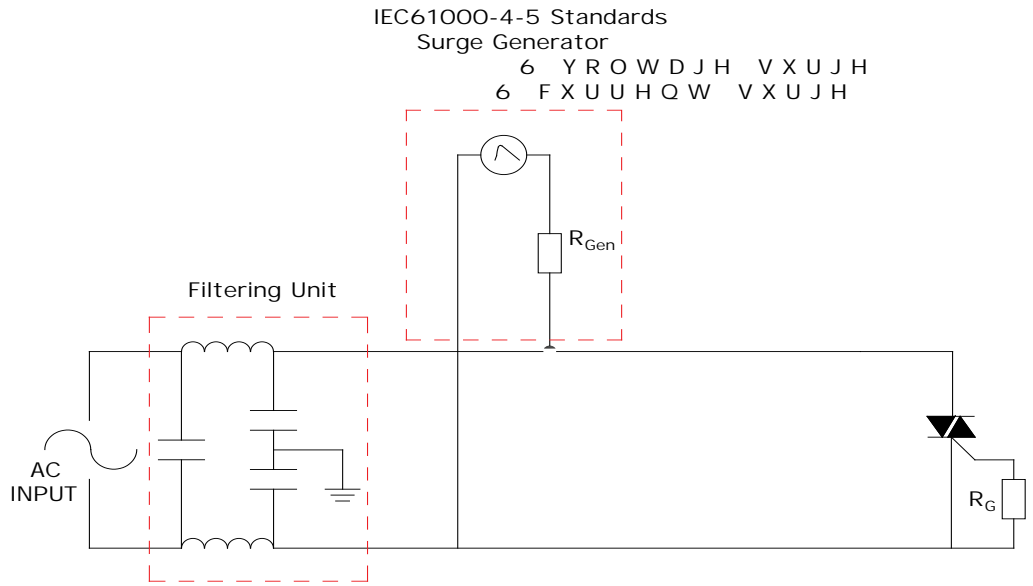


FIG.1 : Maximum power dissipation versus  $\theta_{JA}$

FIG.7 Test circuit for inductive and resistive loads to IEC 61000-4-5 standards



ORDERING INFORMATION



PACKAGE MECHANICAL DATA



Information furnished in this document is believed to be accurate and reliable. However, Jiangsu JieJie Microelectronics Co., Ltd. assumes no responsibility for the consequences of use without consideration for such information nor use beyond it. Information mentioned in this document is subject to change without notice, apart from that when an agreement is signed, Jiangsu JieJie complies with the agreement.

Products and information provided in this document have no infringement of patents. Jiangsu JieJie assumes no responsibility for any infringement of other rights of third parties which may result from the use of such products and information. This document supersedes and replaces all information previously