

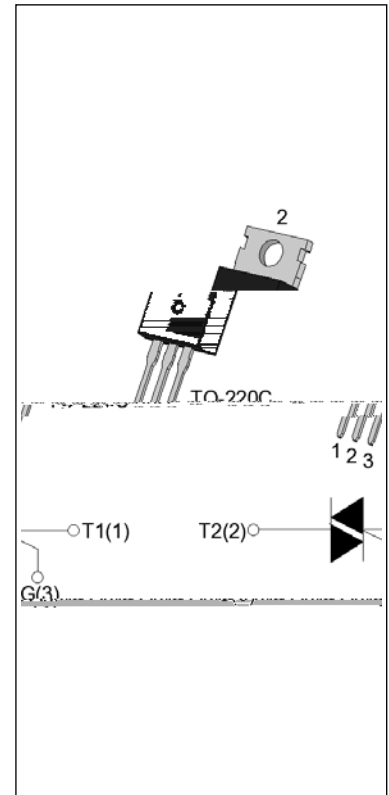


T1610H-8C 16A TRIAC

Rev.A.1.1

DESCRIPTION:

T1610H-8C 16A TRIAC
 TO-220F type
 16A
 800V
 150°C
 -220°C



MAIN FEATURES

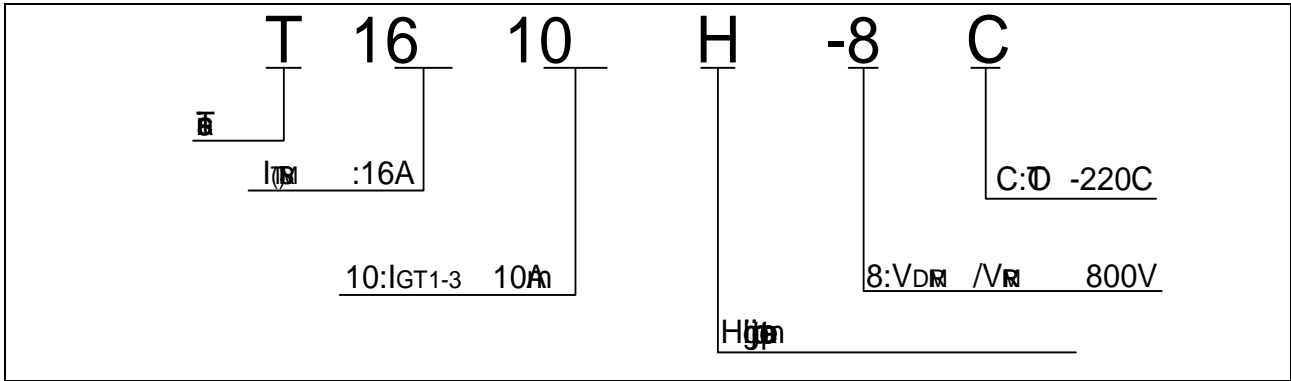
Symbol	Value	Unit
I_{RM}	16	A
V_{DRM} / V_{RM}	800	V
$I_{GT} / /$	10/10/10	A

ABSOLUTE MAXIMUM RATINGS

Parameter	Symbol	Value	Unit
Storage temperature	T_{θ}	-40-150	
Junction temperature	T_j	-40-150	
Peak reverse voltage (pulsed, $f=25$ Hz)	V_{DRM}	800	V
Peak forward voltage (pulsed, $f=25$ Hz)	V_{FM}	800	V
Peak non-repetitive surge current (c 127 Hz)	I_{RM}	16	A
Peak repetitive surge current (p=20μs, $f=25$ Hz)	I_{SM}	160	A
Peak repetitive surge current (p=16.6μs, $f=25$ Hz)		176	
Peak surge current (p=10μs, $f=25$ Hz)	I^2t	72	A ² s
Gate trigger current (IG=2x IGT, f=100Hz, Tj=150°C)	I_{GT}	100	A/μs
Peak gate current (p=20μs, Tj=150°C)	I_{GM}	4	A
Peak gate power (p=150 Hz)	$P_{G(AV)}$	1	W

T1610H-8C

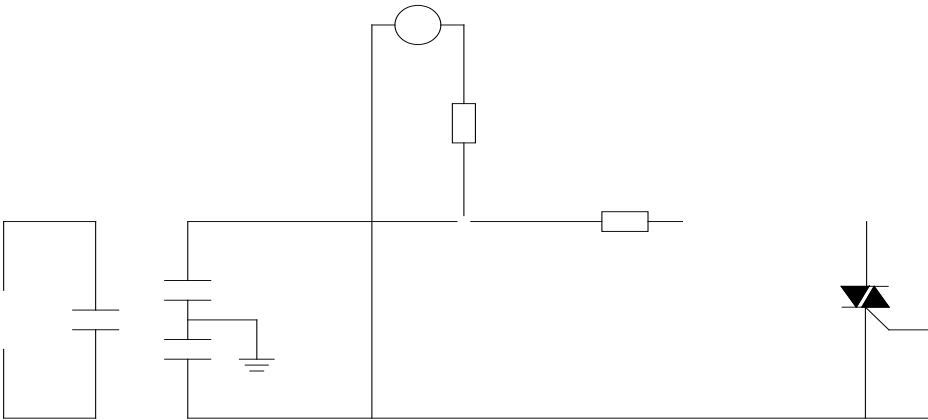
ORDERING INFORMATION



MARKING

FIG.7 图7

-61000-4-5 图



ORDERING INFORMATION

Order code	Voltage V _{DRM} /V _{RPM} (V)	IGT(mA)	Package	Base qty. (pcs)	Delivery mode
		- -			
T1610H-8C	800	10	TO-220C	50	Tube

Document Revision History

Date	Rev	Change
Apr.10, 2023	A.1.0	#
04, 2025	A.1.1	Re PACKAGE MECHANICAL DATA

PACKAGE MECHANICAL DATA



