



DESCRIPTION:

The T0635H-6H triac is suitable for general purpose AC switching. It can be used as an ON/OFF function in applications such as heating r

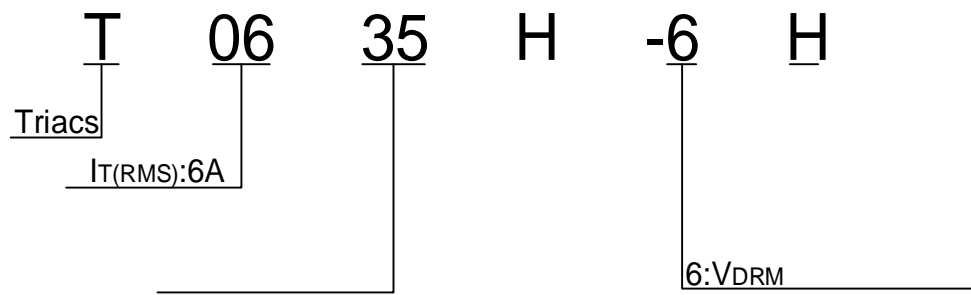


| | | | |
|--|----------|---|----|
| Peak pulse voltage ($T_j=25$; non-repetitive, off-state; FIG.7) | V_{pp} | 3 | kV |
|--|----------|---|----|

ELECTRICAL CHARACTERISTICS ($T_j=25$ unless otherwise specified)



ORDERING INFORMATION



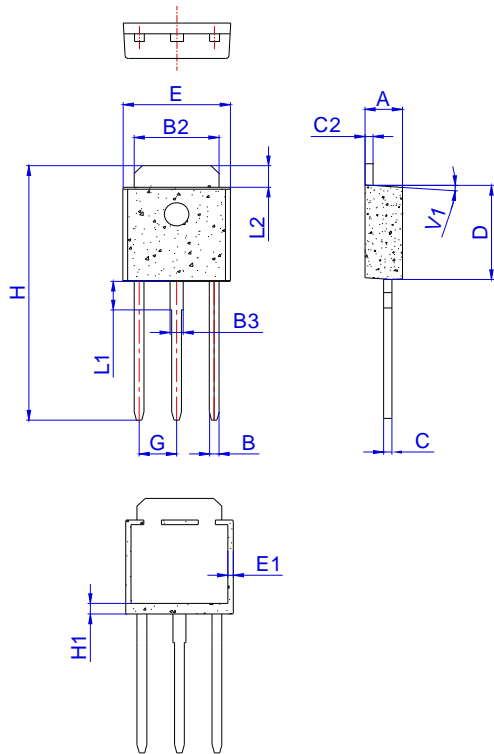


ORDERING INFORMATION

| | | | | |
|--|--|--|--|--|
| | | | | |
|--|--|--|--|--|



PACKAGE MECHANICAL DATA



| Ref. | Dimensions | | | | | |
|------|-------------|------|-------|--------|------|-------|
| | Millimeters | | | Inches | | |
| | Min. | Typ. | Max. | Min. | Typ. | Max. |
| A | 2.20 | | 2.40 | 0.086 | | 0.095 |
| A2 | 1.00 | | 1.30 | 0.039 | | 0.051 |
| B | 0.50 | | 0.70 | 0.020 | | 0.028 |
| B2 | 5.10 | | 5.40 | 0.200 | | 0.213 |
| B3 | | | | | | |
| C | | | | | | |
| C2 | | | | | | |
| D | | | | | | |
| E | | | | | | |
| E1 | 0.60 | | 1.00 | 0.024 | | 0.039 |
| G | | | | | | |
| H | 16.00 | | 17.00 | 0.630 | | 0.669 |
| H1 | 1.45 | | 1.85 | 0.057 | | 0.073 |
| L1 | | | | | | |
| | | | | | | |



Information furnished in this document is believed to be accurate and reliable. However, Jiangsu JieJie Microelectronics Co., Ltd.