



**JR0405Q**

**4A SCR**

Rev.A.1.0

## DESCRIPTION:

The JR0405Q SCR with the parallel resistor between Gate and Cathode,  $R_{GK}=10\sim 80k$  is especially recommended for use on straight hair, igniter, anion generator, etc. Package TO-126 is RoHS compliant.

## MAIN FEATURES

Symbol	Value	Unit
$I_{T(RMS)}$	4	A
$V_{DRM}/V_{RRM}$	600	V
$I_{GT}$	200	$\mu A$

## ABSOLUTE MAXIMUM RATINGS

Parameter	Symbol	Value	Unit
Storage junction temperature range	$T_{stg}$	-40-150	

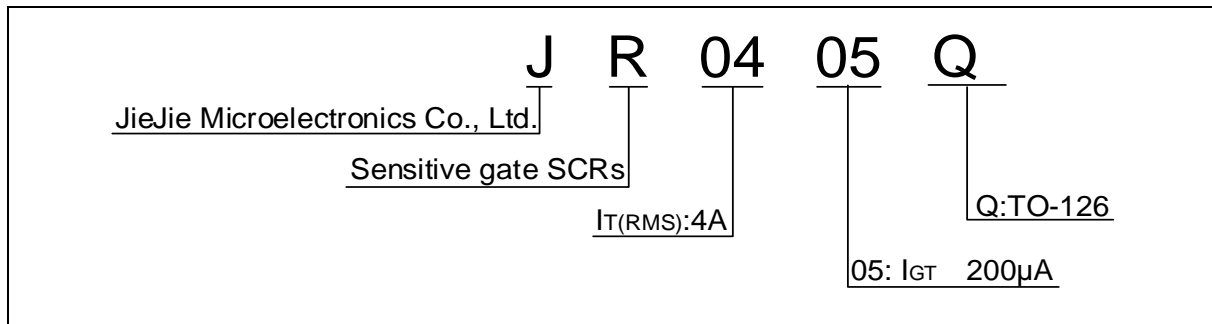
Peak gate power	$P_{GM}$	5	W
Peak pulse voltage ( $T_j=25$ ; non-repetitive,off-state;FIG.7)	$V_{pp}$	0.5	kV

**NOTE 1:** Operating junction temperature  $T_j$  is up to 125 when a resistor 1k is connected between Gate and Cathode. Without this resistor, the  $T_j$  is up to 110 only.

**ELECTRICAL CHARACTERISTICS** ( $T_j=25$  unless otherwise specified)

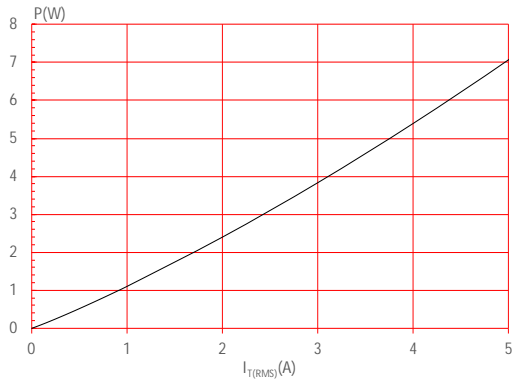
Symbol	Test Condition	Value	Unit
--------	----------------	-------	------

ORDERING INFORMATION



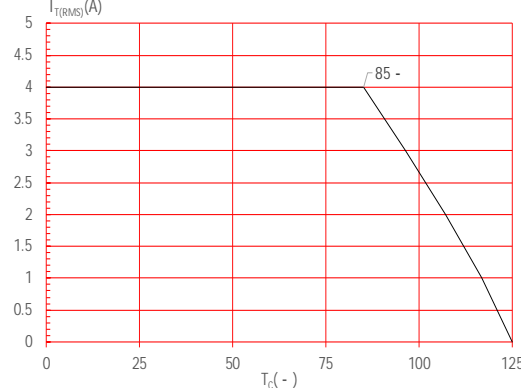
MARKINT $I_{T(RMS)}$ )

**FIG.1:** Maximum power dissipation versus RMS on-state current



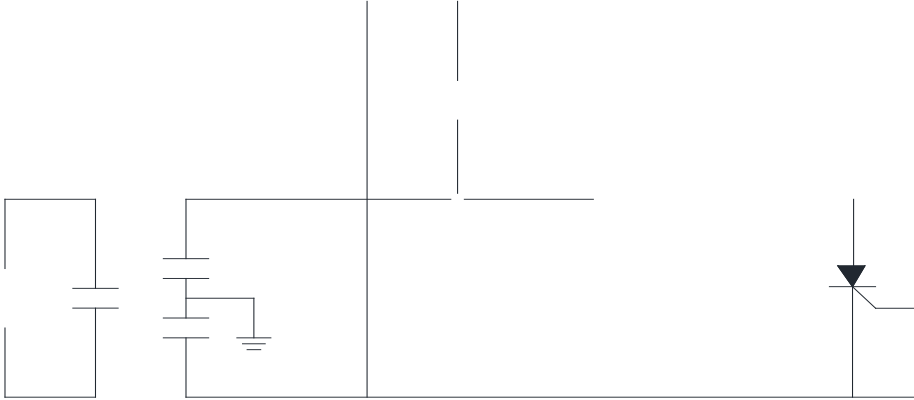
**FIG.3:** Surge peak on-state current versus number of cycles

**FIG.2:** RMS on-state current versus case temperature



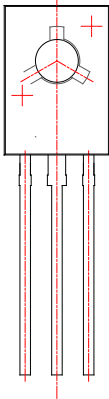
**FIG.4:** On-state characteristics

FIG.7 Test circuit for inductive and resistive loads to IEC-61000-4-5 standards



**JR0405Q**

PACKAGE MECHANICAL DATA



Information furnished in this document is believed to be accurate and reliable.  
However, Jiangsu JieJie Microelectronics Co., Ltd. assumes no responsibility for the  
consequences of use without consideration for such information nor use beyond it.