



JR0405H

4A SCR

Rev.A.1.1

The JR0405H SCR with the parallel resistor between Gate and Cathode, $R_{GK}=10\sim 80k$ is especially recommended for use on straight hair, igniter, anion generator, etc. Package TO-251 is RoHS compliant.

600 V

Symbol	Value	Unit
$I_{T(RMS)}$	4	A
V_{DRM}/V_{RRM}	600	V
I_{GT}	200	μA

Parameter	Symbol	Value	Unit
Storage junction temperature range	T_{stg}	-40-150	
Operating junction temperature range	T_j	-40-125	
Repetitive peak off-state voltage ($T_j=25^\circ C$)	V_{DRM}	600	V
Repetitive peak reverse voltage ($T_j=25^\circ C$)	V_{RRM}	600	V
Average on-state current ($T_c=93^\circ C$)	I_{TV}		

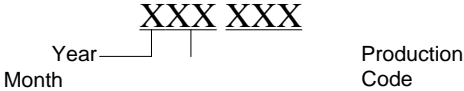
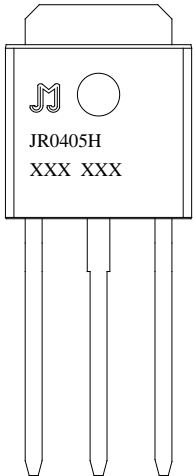
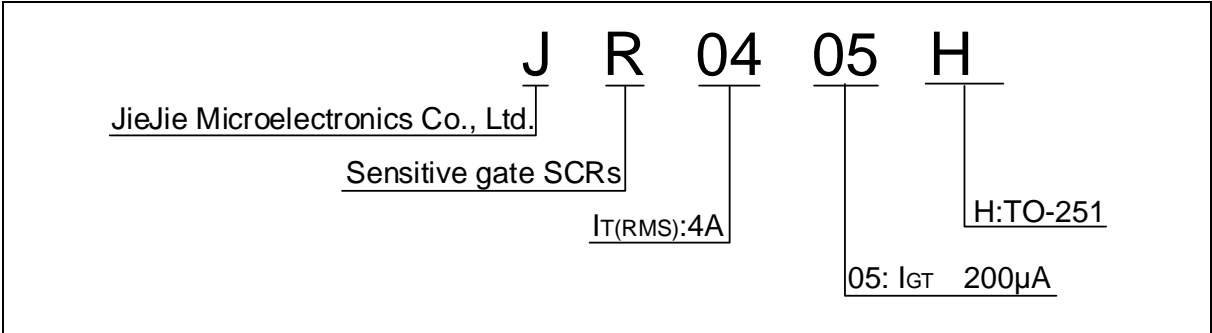
Peak gate power	P_{GM}	5	W
Peak pulse voltage ($T_j=25$; non-repetitive, off-state; FIG.7)	V_{pp}	0.5	kV

NOTE 1: Operating junction temperature T_j is up to 125 when a resistor 1k is connected between Gate and Cathode. Without this resistor, the T_j is up to 110 only.

($T_j=25$ unless otherwise specified)

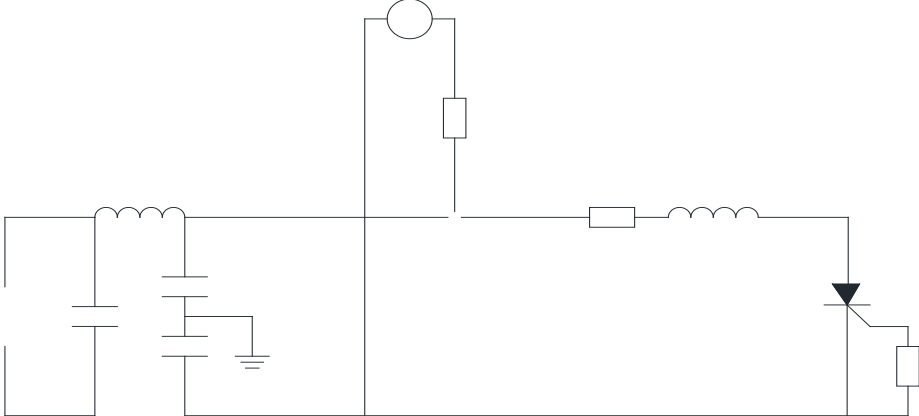
Symbol	Test Condition	Value			Unit
		MIN.	TYP.	MAX.	
I_{GT}	$V_D=12V R_L=33$	-	50	200	μA
V_{GT}		-	0.6	0.8	V
V_{GD}	$V_D=V_{DRM} T_j=125$	0.2	-	-	V
I_L	$I_G=1.2 I_{GT}$	-	-	6	mA
I_H	$I_T=0.1A$	-	-	5	mA
dV/dt	$V_D=400V T_j=125 R_{GK}=1k$	50	-	-	$V/\mu s$
	$V_D=400V T_j=125 R_{GK}=220$	250	-	-	
t_{on}	$I_G=10mA I_A=20mA I_R=2mA$ $T_j=25$	-	2	-	μs

$\mu 0.481$ re f 431.

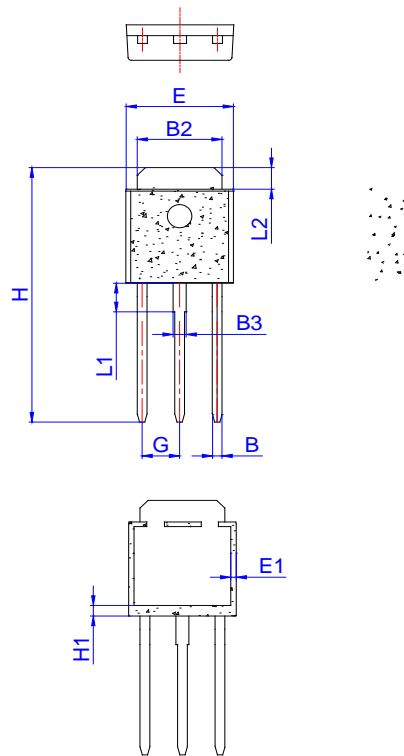


JR0405H

FIG.7 Test circuit for inductive and resistive loads to IEC-61000-4-5 standards




Order code



Ref.	Dimensions					
	Millimeters			Inches		
	Min.	Typ.	Max.	Min.	Typ.	Max.
A	2.20		2.40	0.086		0.095
A2	1.00		1.30	0.039		0.051
B	0.50		0.70	0.020		0.028
B2	5.10		5.40	0.200		0.213
B3						
C						
C2						
D						
E						
E1	0.60		1.00	0.024		0.039
G						
H	16.00		17.00	0.630		0.669
H1	1.45		1.85	0.057		0.073
L1						

Information furnished in this document is believed to be accurate and reliable. However, Jiangsu JieJie Microelectronics Co., Ltd. assumes no responsibility for the consequences of use without consideration for such information nor use beyond it. Information mentioned in this document is subject to change without notice, apart from that when an agreement is signed, Jiangsu JieJie complies with the agreement. Products and information provided in this document have no infringement of patents. Jiangsu JieJie assumes no responsibility for any infringement of other rights of third parties which may result from the use of such products and information. This document supersedes and replaces all information previously supplied.

 is a registered trademark of Jiangsu JieJie Microelectronics Co., Ltd.
Copyright © 2025 Jiangsu JieJie Microelectronics Co., Ltd. All rights reserved.