



0812E 12A 6R

R A.1.1

DESCRIPTION:

W

CT

g

g

g

g

T

812E 6 b b

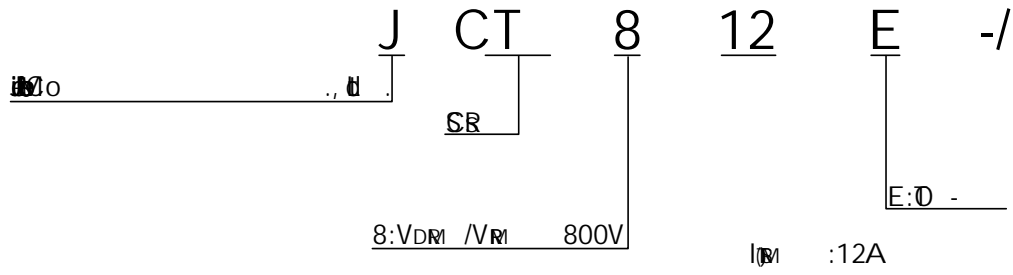
g /g

-263 g

MAIN FEATURES

b

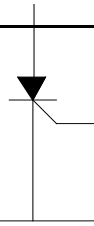
ORDERING INFORMATION



C812E

C812E

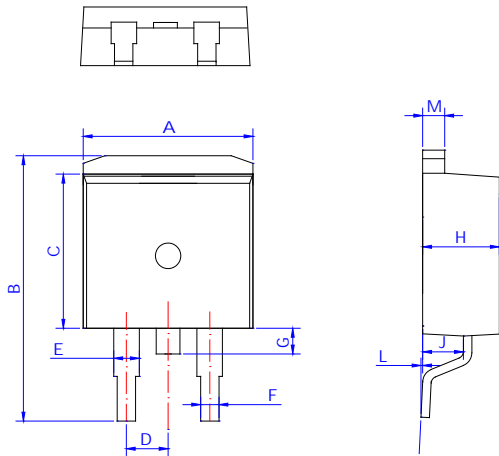
-61000-4-5



ORDERING INFORMATION

①	$V_{DRM} / I_{FR} (V)$	E An)	S	
---	------------------------	--------	---	--

PACKAGE MECHANICAL DATA KK



R	Din					
	M			b		
	M	⌀	M	M	⌀	M
A	9.90		10.20	0.390		0.402
B	14.70		15.80	0.579		0.622
C	9.40		9.60	0.370		0.378
D	2.40			0.094		
E	1.20		1.50	0.047		0.059
F	0.75		0.85	0.029		0.033

DELIVERY MODE

