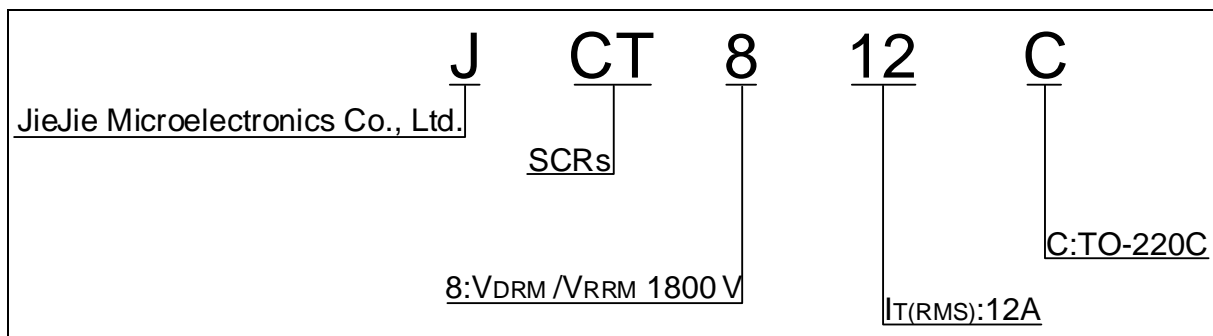


JIEJIE MICROELECTRONICS CO., LTD.

Average gate power dissipation ($T_j=125$)	$P_{G(AV)}$	1	W
Peak gate power	P_{GM}	10	W
Peak pulse voltage ($T_j=25$; non-repetitive,off-state;FIG.7)	V_{pp}	0.5	kV

ELECTRICAL CHARACTERISTICS

ORDERING INFORMATION



MARKING

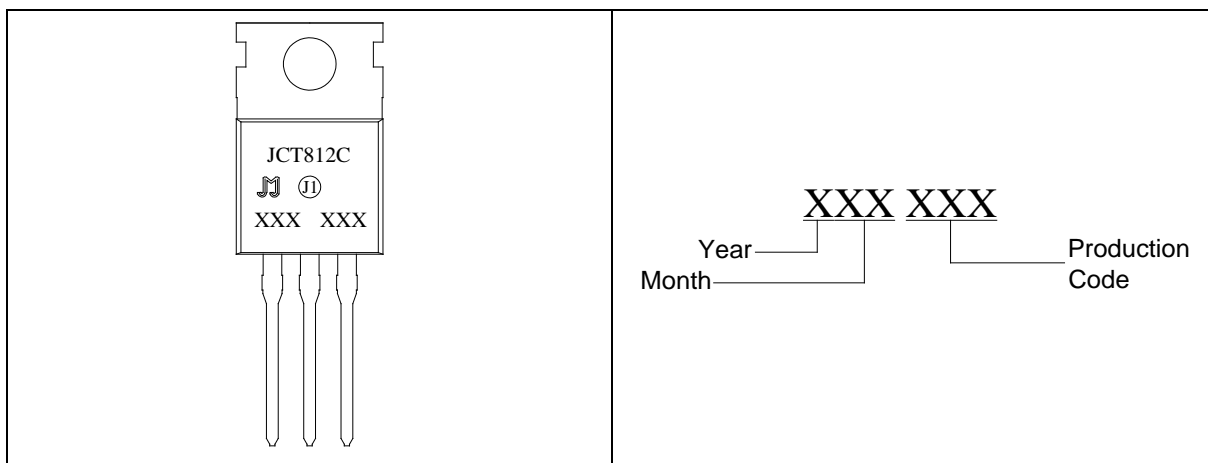
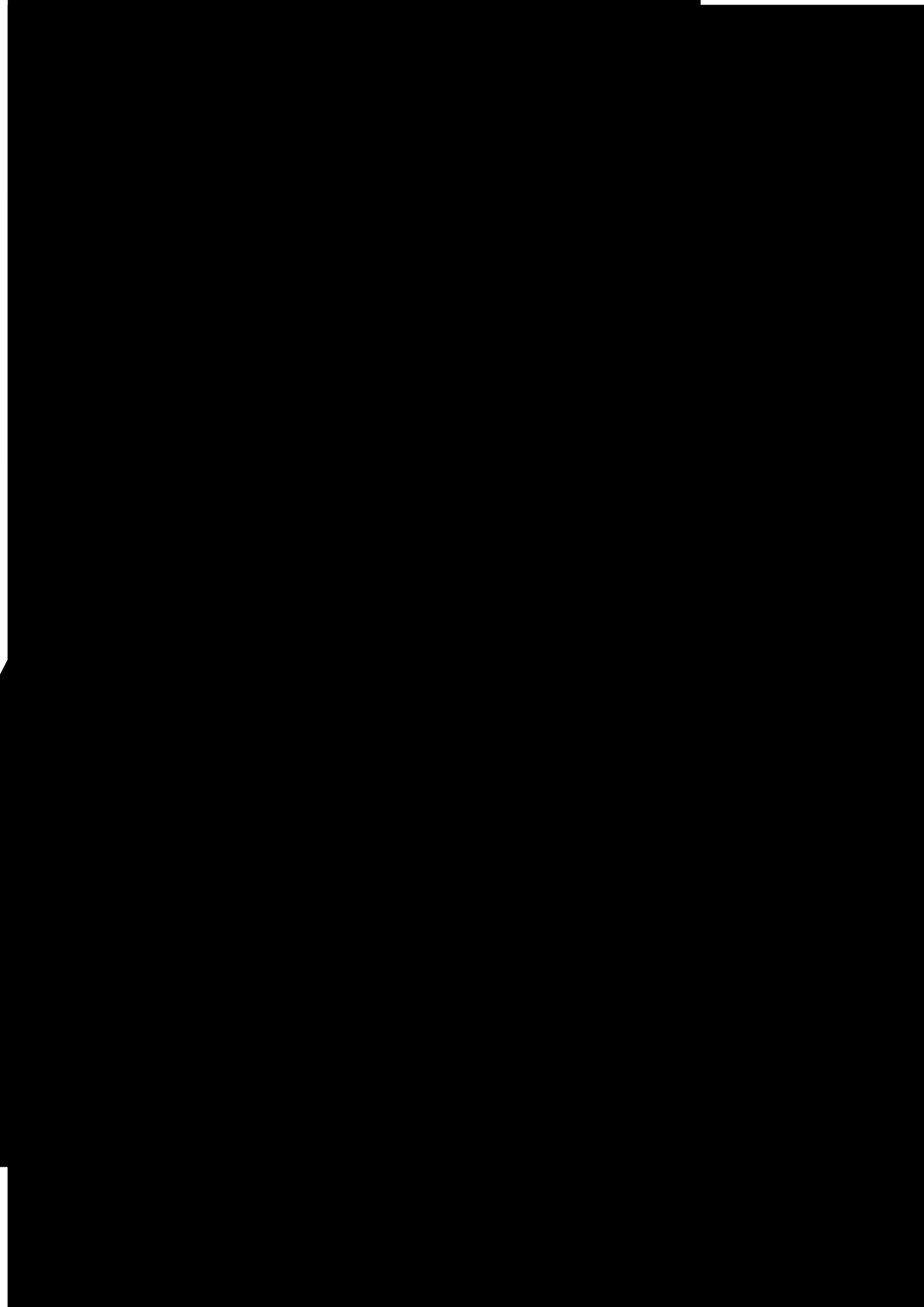


FIG.1: Maximum power dissipation versus



G INFORMATION

	Voltage V_{DRM}/V_{RRM} (V)	IGT(mA)	Package	Base qty. (pcs)	Delivery mode
	800	15	TO-220C	50	Tube

PACKAGE MECHANICAL DATA



