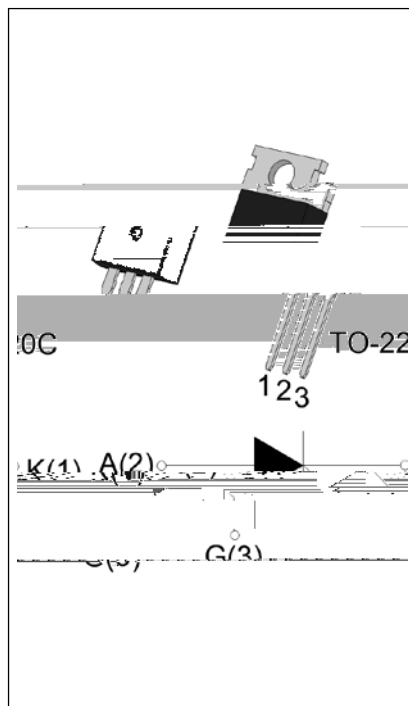




DESCRIPTION:

With high ability to withstand the shock loading of large current, JCT1630C SCR provides high dV/dt rate with strong resistance to electromagnetic interference. It is especially recommended for use on solid state relay, motorcycle, power charger, T-tools etc. Package TO-220C is RoHS compliant.



MAIN FEATURES

Symbol	Value	Unit
$I_{T(RMS)}$	30	A
V_{DRM}/V_{RRM}	1600	V
I_{GT}	40	mA

ABSOLUTE MAXIMUM RATINGS

Parameter	Symbol	Value	Unit
Storage junction temperature range	T_{stg}	-40-150	
Operating junction temperature range	T_j	-40-125	
Repetitive peak off-state voltage ($T_j=25^\circ\text{C}$)	V_{DRM}	1600	V
Repetitive peak reverse voltage ($T_j=25^\circ\text{C}$)	V_{RRM}	1600	V
Average on-state current ($T_C=86^\circ\text{C}$)	$I_{T(AV)}$	19	A
RMS on-state current ($T_C=86^\circ\text{C}$)	$I_{T(RMS)}$	30	A
Non repetitive surge peak on-state current ($t_p=10\text{ms}$, $T_j=25^\circ\text{C}$)	I_{TSM}	300	A
Non repetitive surge peak on-state current ($t_p=8.3\text{ms}$, $T_j=25^\circ\text{C}$)		320	
I^2t value for fusing ($t_p=10\text{ms}$, $T_j=25^\circ\text{C}$)	I^2t	450	A^2s
Critical rate of rise of on-state current ($I_G=2 I_{GT}$, $f=100\text{Hz}$, $T_j=125^\circ\text{C}$)	di/dt	200	A/s
Peak gate current ($t_p=20\mu\text{s}$, $T_j=125^\circ\text{C}$)	I_{GM}	10	A

JCT1630C

 **JieJie Microelectronics Co., Ltd.**

Average gate power dissipation ($T_j=125^{\circ}\text{C}$) $P_{avg} = \frac{1}{T} \int_0^T P_{sw} dt$ o Q E Tc 0 Tw 8.04 87 45664.28 78jc 0 T

TEL

JCT1630C

 JieJie Microelectronics Co., Ltd.

~~CHINA SINGAPORE HONG KONG TAIWAN~~ (S)

J CT 16 30 C

TEL

FIG.7

PACKAGE MECHANICAL DATA



