

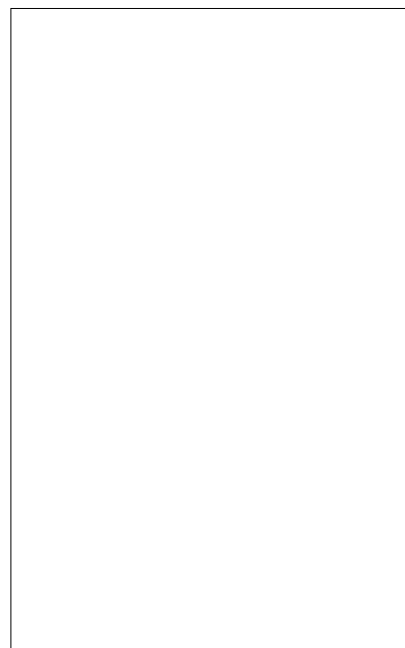


JCT1612E 8A SCR

Rev.A.1.1

DESCRIPTION:

With high ability to withstand the shock loading of large current, JCT1612E provides high dV/dt rate with strong resistance to electromagnetic interference. It is especially recommended for use on hair straightener motorcycle voltage regulator etc. Package TO-263 is RoHS compliant.



MAIN FEATURES

Symbol	Value	Unit
$I_{T(RMS)}$	12	A
V_{DRM}/V_{RRM}	1600	V
I_{GT}	"15	mA

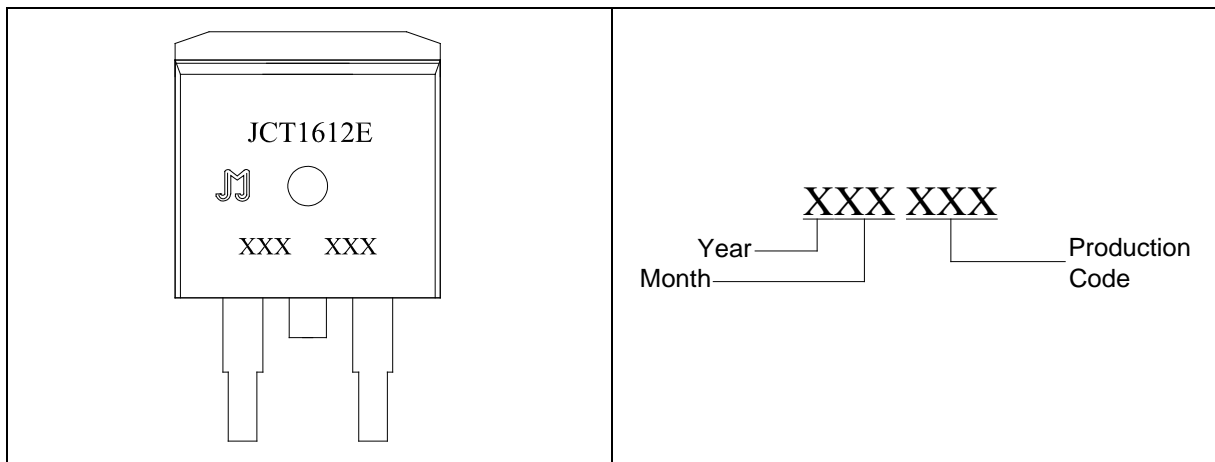
ABSOLUTE MAXIMUM RATINGS

Parameter	Symbol	Value	Unit
Storage junction temperature range	T_{stg}	-40-150	te10 (e j)n-4051[(s)-

ORDERING INFORMATION

J	CT	16	12	E	-/
JieJie Microelectronics Co., Ltd.	SCRs	16:VDRM /VRRM 1600V	12:IT(RMS):12A	E:TO-263	Blank:Tube -TR:Tape & Reel

MARKING



JCT1612E

FIG.7: Relative variations of gate trigger current, holding current and latching current versus junction temperature

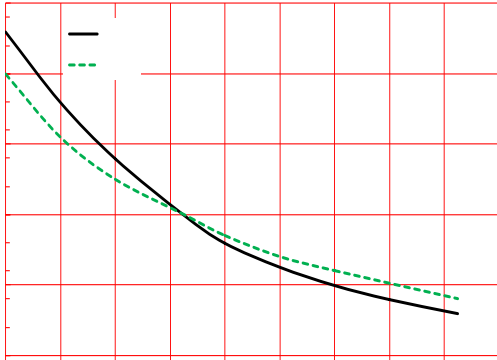
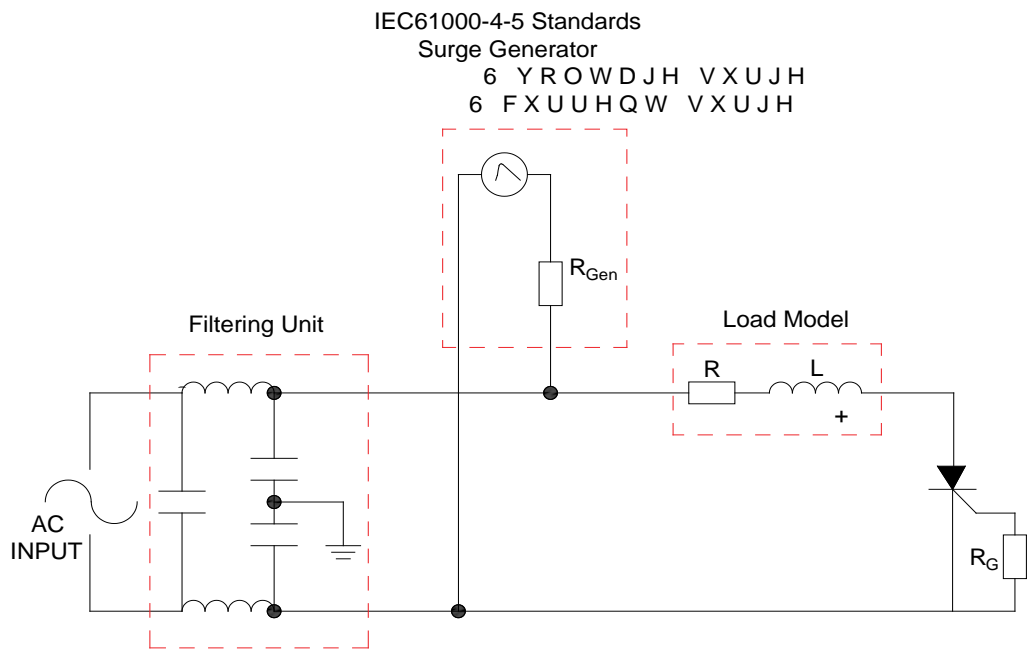


FIG.8 Test circuit for inductive and resistive loads to IEC-61000-4-5 standards.



JCT1

DELIVERY MODE

