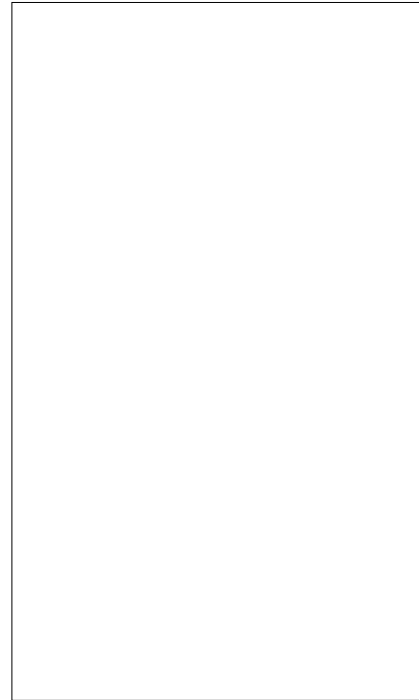




JCT1608K 8A SCR

Rev.A.1.1

DESCRIPTION:



Average gate power dissipation ($T_j=125$)	$P_{G(AV)}$	1	W
Peak gate power	P_{GM}	5	W
Peak pulse voltage ($T_j=25$; non-repetitive, off-state; FIG.8)	V_{pp}	1.8	kV

ELECTRICAL CHARACTERISTICS ($T_j=25$ unless otherwise specified)

Symbol	Test Condition	Value			Unit
		MIN.	TYP.	MAX.	
I_{GT}	$V_D=12V$ $R_L=33$	-	-	15	mA
V_{GT}		-	-	1	V
V_{GD}	$V_D=V_{DRM}$ $T_j=125$ $R_L=3.3k$	0.2	-	-	V
I_L	$I_G=1.2I_{GT}$	-	-	40	mA

ORDERING INFORMATION

<u>J</u>	<u>CT</u>	<u>16</u>	<u>08</u>	<u>K</u>	<u>-/</u>
JieJie Microelectronics Co., Ltd.	SCRs	16:VDRM/VRRM 1600V	IT(RMS):8A	K:TO-252	Blank:Tube -TR:Tape & Reel

MARKING

FIG.1: Maximum power dissipation versus RMS on-state current

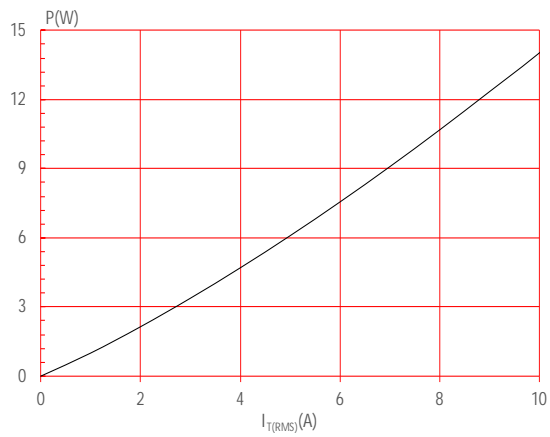
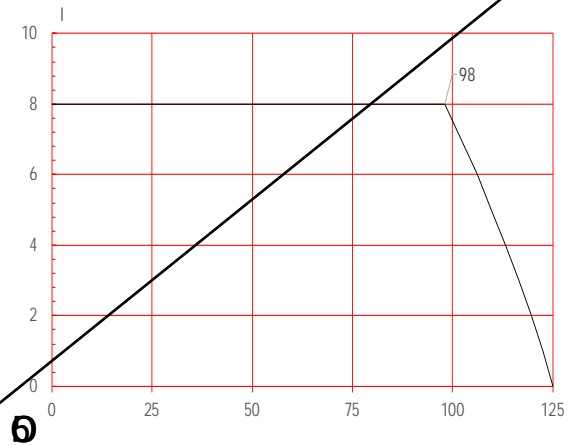


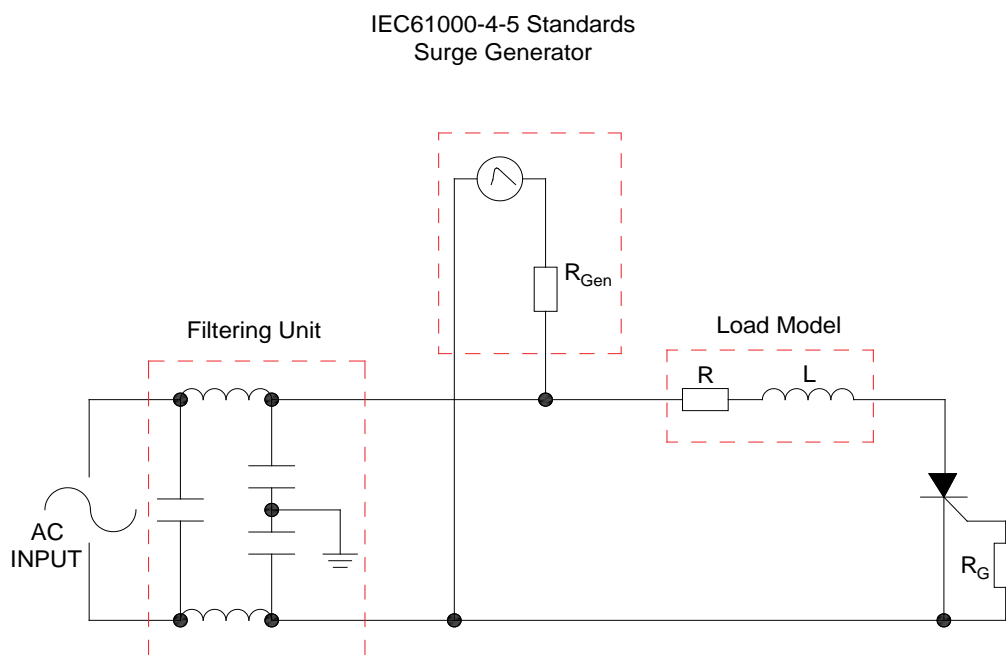
FIG.2: RMS on-state current versus case temperature



JCT1608K

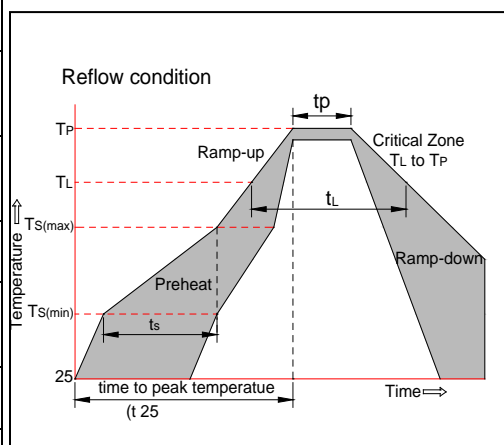
JieJie M

FIG.8: Test circuit for inductive and resistive loads to IEC-61000-4-5 standards.



SOLDERING PARAMETERS

Reflow Condition		Pb-Free assembly (see figure at right)
Pre Heat	-Temperature Min ($T_{s(min)}$)	+150
	-Temperature Max($T_{s(max)}$)	+200
	-Time (Min to Max) (t_s)	60-180 secs.
Average ramp up rate (Liquidus Temp (T_L) to peak)		3 /sec. Max
$T_{s(max)}$ to T_L - Ramp-up Rate		3 /sec. Max
Reflow	-Temperature(T_L) (Liquidus)	+217
	-Temperature(t_L)	60-150 secs.
Peak Temp (T_p)		+260(+0/-5)
Time within 5 of actual Peak Temp (t_p)		20-40secs.
Ramp-down Rate		6 /sec. Max
Time 25 to Peak Temp (T_p)		8 min. Max
Do not exceed		+260



ORDERING INFORMATION

Order code	Voltage V_{DRM}/V_{RRM} (V)	IGT(mA)	Package	Base qty. (pcs)	Delivery mode
JCT1608K	1600	15	TO-252	80	Tube
JCT1608K-TR				2,500	Tape & Reel

Document Revision History

Date	Revision	Changes
Apr.7, 2024	A.1.0	Last update
Oct.21, 2025	A.1.1	Revise PACKAGE MECHANICAL DATA

PACKAGE MECHANICAL DATA

Ref.	Dimensions					
	Millimeters			Inches		
	Min.	Typ.	Max.	Min.	Typ.	Max.
A	2.10		2.50	0.083		0.098
A2	0		0.15	0		0.006
B	0.66		0.86	0.026		0.034
C	0.40		0.60	0.016		0.024
D	5.90		6.30	0.232		0.248
E	6.40		6.80	0.252		0.268
G	4.47			0.053		0.65
G1	2.18		2.38	0.086		0.094
L						
L2				0.053		0.065




JCT1608K

 **JieJie Microelectronics Co., Ltd.**

DELIVERY MODE

—
—

Information furnished in this document is believed to be accurate and reliable. However, Jiangsu JieJie Microelectronics Co., Ltd. assumes no responsibility for the consequences of use without consideration for such information nor use beyond it. Information mentioned in this document is subject to change without notice, apart from that when an agreement is signed, Jiangsu JieJie complies with the agreement. Products and information provided in this document have no infringement of patents. Jiangsu JieJie assumes no responsibility for any infringement of other rights of third parties which may result from the use of such products and information. This document supersedes and replaces all information previously supplied.

 is a registered trademark of Jiangsu JieJie Microelectronics Co., Ltd. Copyright © 2025 Jiangsu JieJie Microelectronics Co., Ltd. All rights reserved.