



①

2 A B

DESCRIPTION:

②

③

④

⑤

⑥ ⑦

⑧

⑨

⑩ E ⑪ ⑫ ⑬

⑭ ⑮

⑯ ⑰

MAIN FEATURES

ABSOLUTE MAXIMUM RATINGS

⑰	⑱	⑲	⑳
⑳	T		

V_{GS}	(V_{GS})	P_{GS}	1	W
V_{DS}		P_{DS}	0	W
V_{GS}	(V_{GS} 0 - 8)	V_p	0	V

ELECTRICAL CHARACTERISTICS

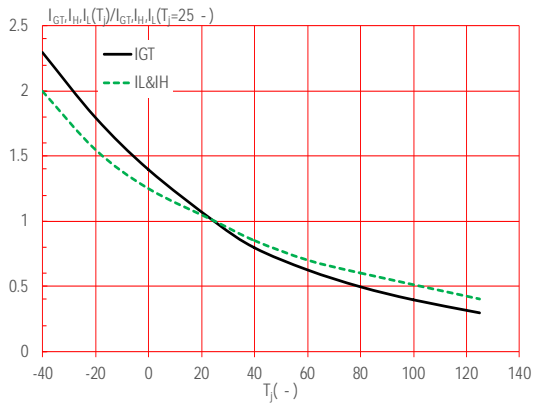
Symbol	Description	Unit			Value
		M	P	W	
I_G	$V_{DS} = 10V$	-	-	5	mA
V_G		-	-	1	V
V_D	$V_{DS} = 10V, T_{j25} = 25^\circ C, R_{L3} = k$	0	-	-	V
I_L	$I_G = 2 I_G$	-	-	0	mA
I_H	$I_{T3} = 0.1 A$	-	-	0	mA
t_{on}	$V_{D4} = 10V, I_G = 10mA, I_{R3} = 10mA$	80	-	-	V s
t_{off}	$I_G = 10mA, I_A = 10mA, I_R = 10mA$	-	3	-	s
t_{off}		T_{j25}	-	0	

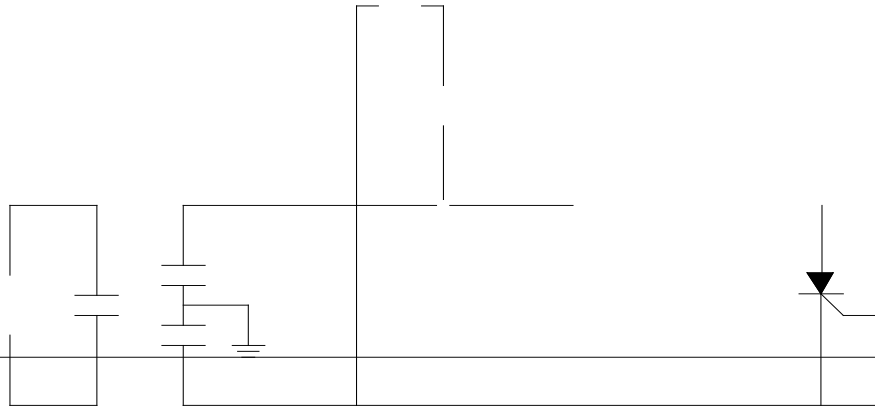
STATIC CHARACTERISTICS

Symbol	Description	Unit	Value
V_{IM}	$I_{IM} = 10mA, t_p = 0.1 s, T_{j25}$	V	1.6
V_D	T_{j25}	V	0
R_D	T_{j25}	P	2
I_{IM}	$V_{D4} = 10V, V_{R3} = 10V, R_{IM}$	T_{j25}	5
I_{IM}		T_{j25}	0.2

THERMAL RESISTANCES

Symbol	Description	Unit	Value
$R_{\theta j-c}$	$^\circ C$	W	1.3
$R_{\theta j-a}$	$^\circ C$	W	0





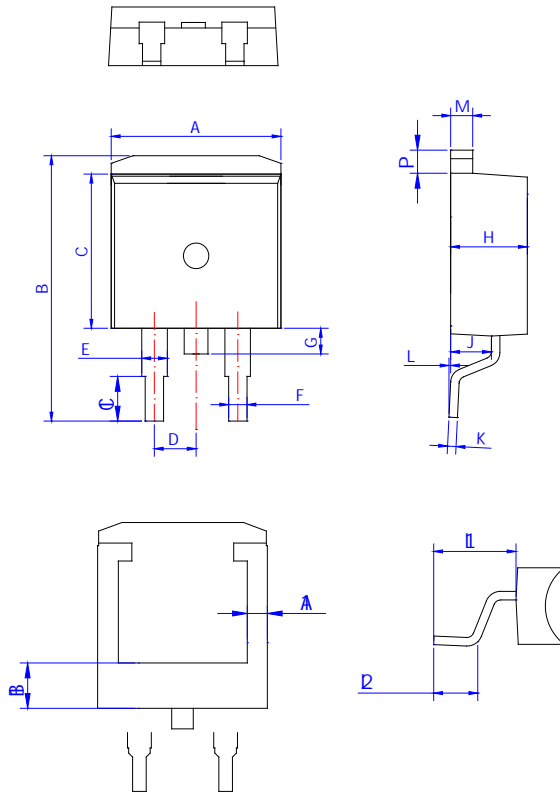
ORDERING INFORMATION

0	V _{BI} V _{RI} V	G An)	0	0	0
0 0 E 0	0	0	0 2 8	0	0
0 -0 -R				80	0

0 0

0	0	0
0 .0	A 10	0
0	A 1.1	R0 0

PACKAGE MECHANICAL DATA



R	B					
	M			b		
	M	̄	M	M	̄	M
A	0		0	00		0
B	0		0	0		0
C	0		0	0		0
D	0		0	0		0
E	0		0	0		0
F	0		0	0		0
G						
H						
J						
K						

11
12
13
14
15
16
17
18
19
20
21
22
23
24
25
26
27
28
29
30
31
32
33
34
35
36
37
38
39
40
41
42
43
44
45
46
47
48
49
50
51
52
53
54
55
56
57
58
59
60
61
62
63
64
65
66
67
68
69
70
71
72
73
74
75
76
77
78
79
80
81
82
83
84
85
86
87
88
89
90
91
92
93
94
95
96
97
98
99
100

11



0 5 1