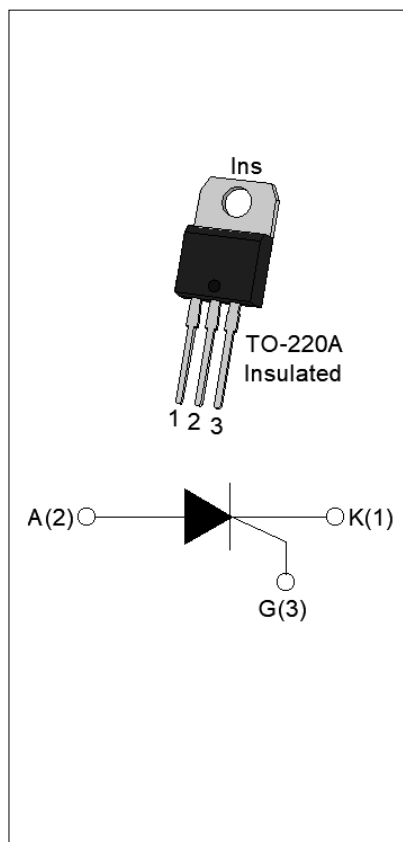




DESCRIPTION:

With high ability to withstand the shock loading of large current, JCT151A-800R of silicon controlled rectifiers provides high dV/dt rate with strong resistance to electromagnetic interference. It is especially recommended for use on solid state relay, motorcycle, power charger, T-tools etc. From all three terminals to external heatsink, JCT151A-800R provides a rated insulation voltage of 2500 V<sub>RMS</sub>, complying with UL standards (File ref: E252906).

Package TO-220A is RoHS compliant.



MAIN FEATURES

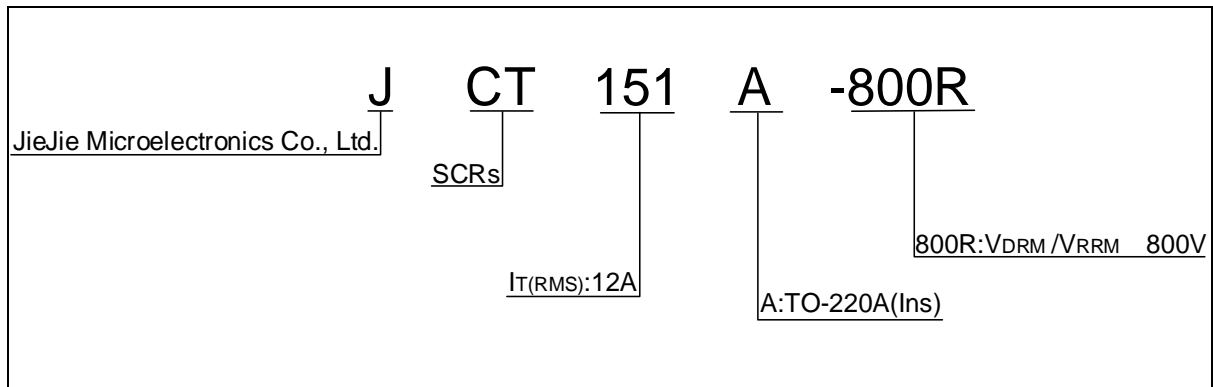
Symbol	Value	Unit
I <sub>T(RMS)</sub>	12	A
V <sub>DRM</sub> /V <sub>RRM</sub>	800	V
I <sub>GT</sub>	15	mA

ABSOLUTE MAXIMUM RATINGS

Parameter	Symbol	Value	Unit
Storage junction temperature range	T <sub>stg</sub>	-40-150	
Operating junction temperature range	T <sub>j</sub>	-40-125	
Repetitive peak off-state voltage (T <sub>j</sub> =25 °C)	V <sub>DRM</sub>	800	V
Repetitive peak reverse voltage (T <sub>j</sub> =25 °C)	V <sub>RRM</sub>	800	V
Average on-state current (T <sub>c</sub> 95 °C)	I <sub>T(AV)</sub>	7.5	A
RMS on-state current (T <sub>c</sub> 95 °C)	I <sub>T(RMS)</sub>	12	A
Non repetitive surge peak on-state current (t <sub>p</sub> =10ms, T <sub>j</sub> =25 °C)	I <sub>TSM</sub>	120	A
Non repetitive surge peak on-state current (t <sub>p</sub> =8.3ms, T <sub>j</sub> =25 °C)		132	
I <sup>2</sup> t value for fusing (t <sub>p</sub> =10ms, T <sub>j</sub> =25 °C)	I <sup>2</sup> t	72	A <sup>2</sup> s
Critical rate of rise of on-state current (I <sub>G</sub> =2× I <sub>GT</sub> , f=100Hz, T <sub>j</sub> =125 °C)	di/dt	100	A/s



ORDERING INFORMATION



MARKING

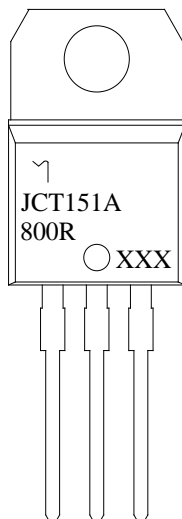
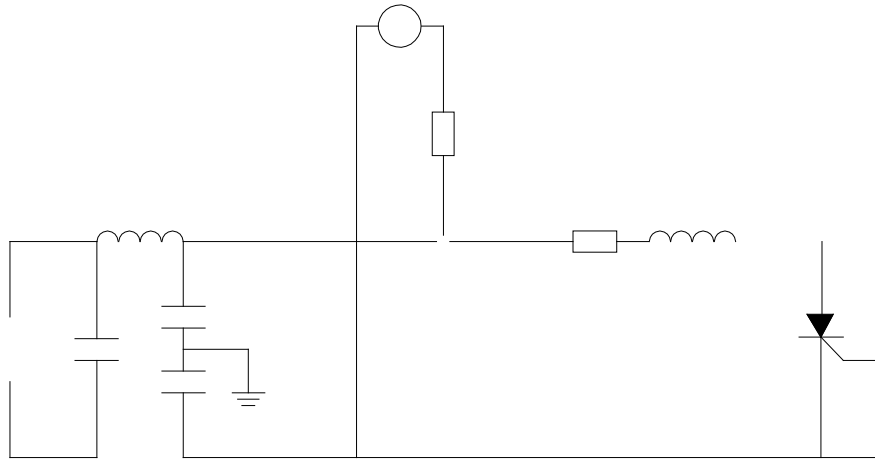




FIG.7 Test circuit for inductive and resistive loads to IEC-61000-4-5 standards.



ORDERING INFORMATION

Order code	Voltage $V_{DRM}/V_{RRM}$ (V)		Package	
------------	----------------------------------	--	---------	--



Information furnished in this document is believed to be accurate and reliable.  
However, Jiangsu JieJie Microelectronics Co., Ltd.