

Peak gate current ($t_p=20\text{ s}$, $T_j=125\text{ }$)	I_{GM}	10	A
Average gate power dissipation ($T_j=125\text{ }$)	$P_{G(AV)}$	1	W
Peak gate power	P_{GM}	20	W
Peak pulse voltage ($T_j=25\text{ }$; non-repetitive,off-state;FIG.7)	V_{pp}	0.7	kV

ELECTRICAL CHARACTERISTICS (unless otherwise specified)

ORDERING INFORMATION

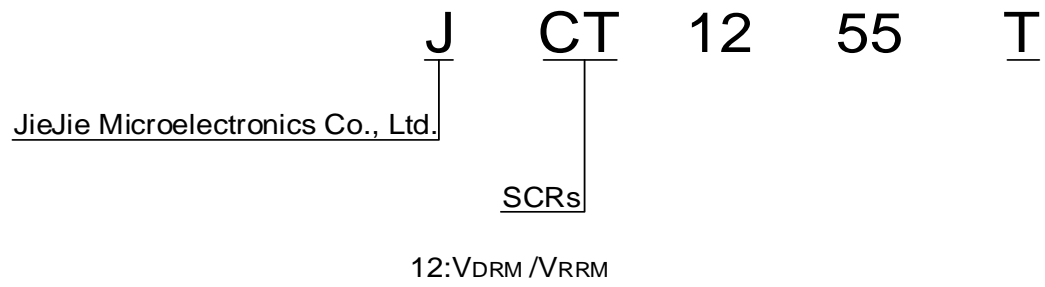
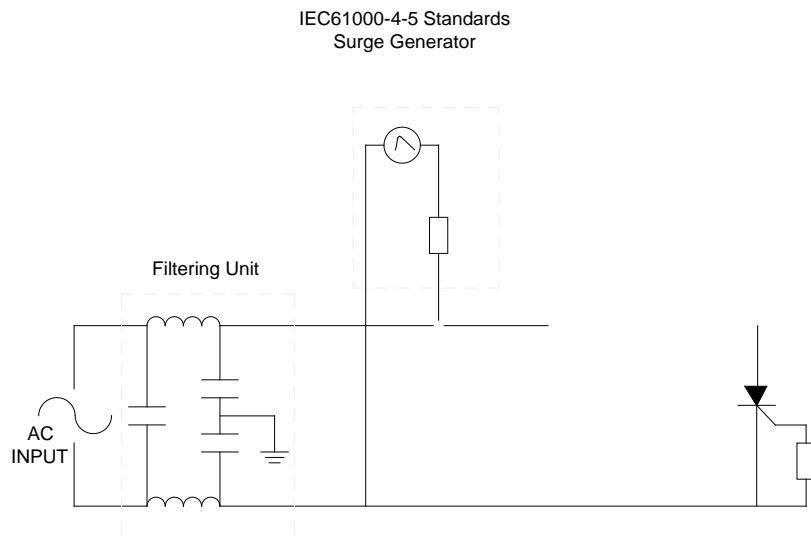


FIG.7 ÖTest circuit for inductive and resistive loads to IEC-61000-4-5 standards.



ORDERING INFORMATION

Order code	Voltage V_{DRM}/V_{RRM} (V)	IGT(mA)	Package	Base qty. (pcs)	Delivery mode
------------	----------------------------------	---------	---------	--------------------	------------------

JCT1255T

PACKAGE MECHANICAL DATA



JCT1255T

JieJie Microelectronics Co.