

JCT1266

Peak gate current ($t_p=20\text{ s}$, $T_j=125$)	I_{GM}	10	A
Average gate power dissipation ($T_j=125$)	$P_{G(AV)}$	1	W
Peak gate power	P_{GM}	20	W
Peak pulse voltage ($T_j=25$; non-repetitive, off-state; FIG.7)	V_{pp}	0.5	kV

ELECTRICAL CHARACTERISTICS (unless otherwise specified)

Symbol	Test Condition	Value			Unit
		MIN.	TYP.	MAX.	
I_{GT}	$V_D=12V\ R_L=33$	-	-	40	mA
V_{GT}		-	-	1	V
V_{GD}	$V_D=V_{DRM}\ T_j=125\ R_L=3.3k$	0.25	-	-	V
I_L	$I_G=1.2I_{GT}$	-	-	120	mA
I_H	$I_T=1A$	-	-	100	mA
dV/dt	$V_D=800V$ Gate Open $T_j=125$	1500	-	-	V/s
t_{on}	$I_G=100mA\ I_A=1A\ I_R=100mA$ $T_j=25$	-	5	-	s
t_{off}		-	70	-	

STATIC CHARACTERISTICS

Symbol	Parameter		Value(MAX.)	Unit
V_{TM}	$I_{TM}=60A\ t_p=380\text{ s}$	$T_j=25$	1.55	V
V_{TO}	Threshold voltage	$T_j=125$	0.76	V
R_D	Dynamic resistance	$T_j=125$	15	P
I_{DRM}	$V_D=V_{DRM}\ V_R=V_{RRM}$	$T_j=25$	8	A
I_{RRM}		$T_j=125$	3	mA

THERMAL RESISTANCES

Symbol	Parameter	Value	Unit
$R_{th(j-c)}$	junction to case (DC)	2	/W
$R_{th(j-a)}$	junction to ambient (DC)	60	/W

ORDERING INFORMATION

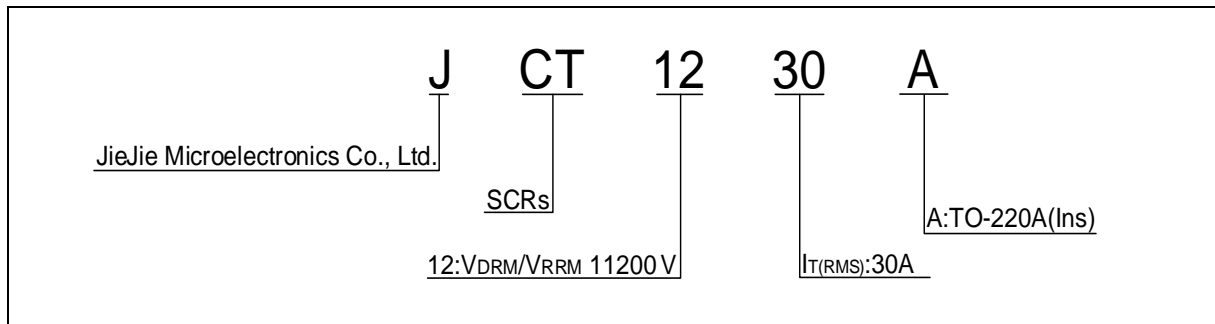


FIG.1: Maximum power dissipation versus RMS on-state current

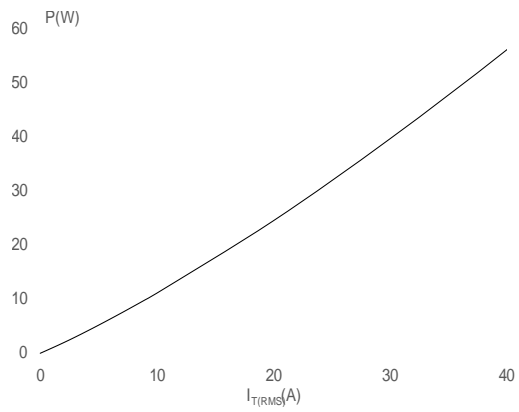


FIG.3: Surge peak on-state current versus number of cycles



FIG.2: RMS on-state current versus case temperature

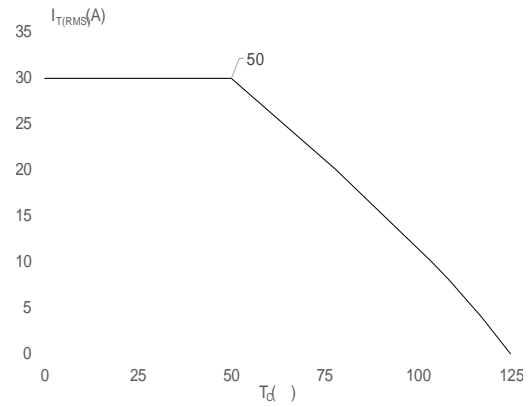


FIG.4: On-state characteristics

JCT1230A

Jied(126 (l)-5.1 [(ci(126 (t)7T2 [r)-5.m [o)11m

ORDERING INFORMATION

Order code	Voltage V_{DRM}/V_{RRM} (V)	IGT(mA)	Package	Base qty. (pcs)	Delivery mode
JCT1230A	1200	40	TO-220A(Ins)	50	Tube

JCT1230A

JieJie M

Information furnished in this document is believed to be accurate and reliable. However, Jiangsu JieJie Microelectronics Co., Ltd. assumes no responsibility for the consequences of use without consideration for such information nor use beyond it. Information mentioned in this document is subject to change without notice, apart from that when an agreement is signed, Jiangsu JieJie complies with the agreement. Products and information provided in this document have no infringement of patents. Jiangsu JieJie assumes no responsibility for any infringement of other rights of third parties which may result from the use of such products and information. This document supersedes and replaces all information previously supplied.

is a registered trademark of Jiangsu JieJie Microelectronics Co., Ltd.
Copyright © 2025 Jiangsu JieJie Microelectronics Co., Ltd. All rights reserved.