





Peak pulse voltage ( $T_j=25$ ; non-repetitive, off-state; FIG.7)	$V_{pp}$	3.5	kV
--	----------	-----	----

( $T_j=25$  unless otherwise specified)

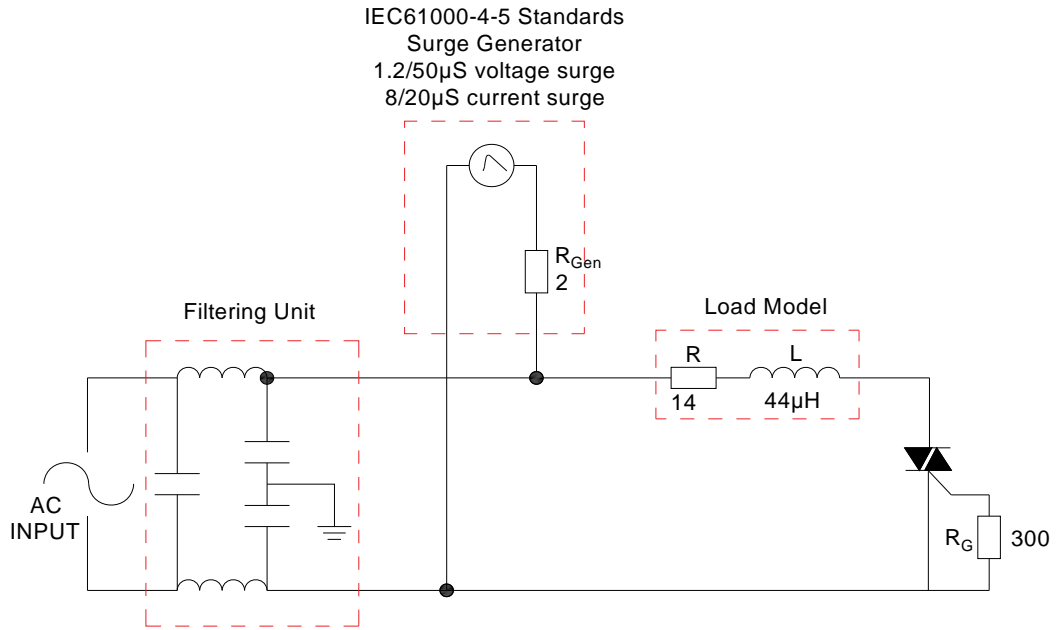
$I_{GT}$	$V_D=12V R_L=33$	- -	MAX.	25	mA
$V_{GT}$		- -	MAX.	1	V
$V_{GD}$	$V_D=V_{DRM} T_j=125$ $R_L=3.3k$	(1+@-D p,	MIN.	$1+@-D 1+@-D p$ 0.2	V
$I_L$	$I_G=1.2I_{GT}$	-	MAX.	40EA	



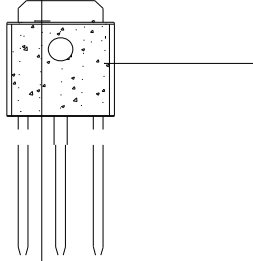




FIG.7 Test circuit for inductive and resistive loads to IEC-61000-4-5 standards









Jie, a M Jiangsu JieJie MicroT i 1 for -m s  
M M M

Information furnished in this document is believed to be accurate and reliable. However, Jiangsu JieJie Microelectronics Co., Ltd. assumes no responsibility for the consequences of use without consideration for such information nor use beyond it. Information mentioned in this document is subject to change without notice, apart from that when an agreement is m yon M bje