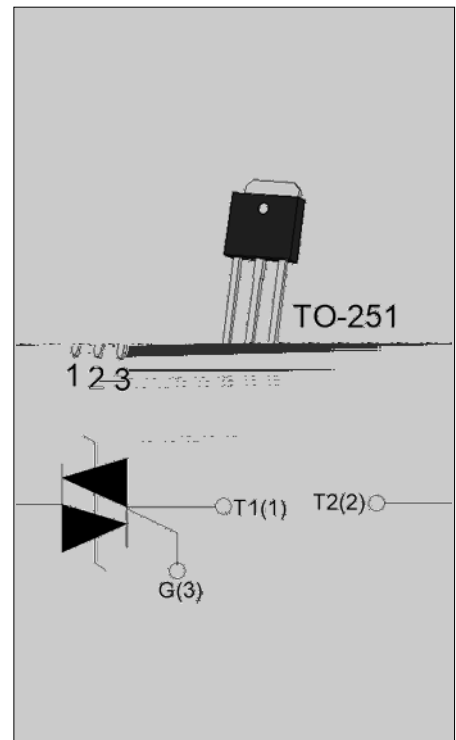




DESCRIPTION:

MAIN FEATURES

ABSOLUTE MAXIMUM RATINGS

0			
h			

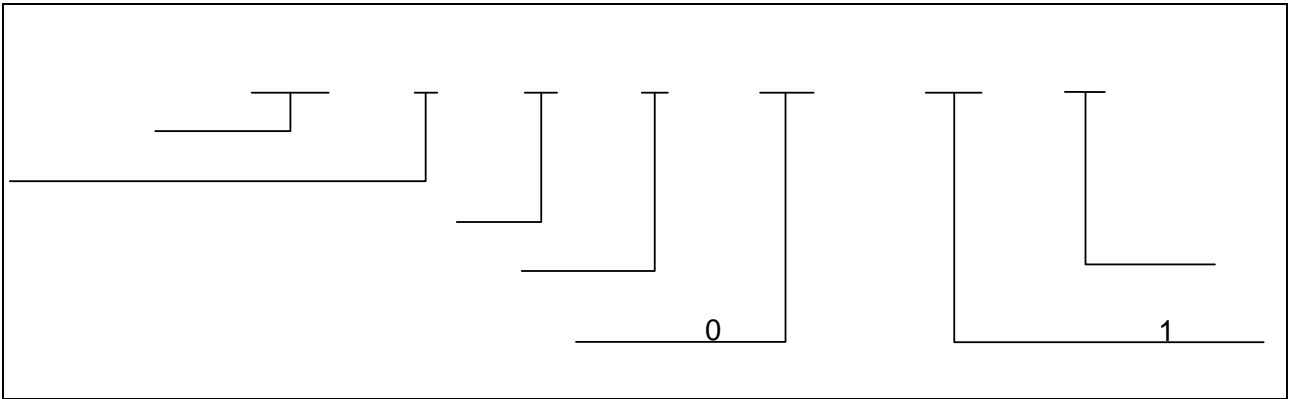


---

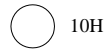
--	--	--	--



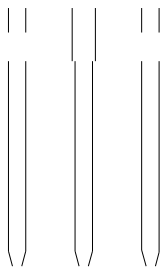
## ORDERING INFORMATION

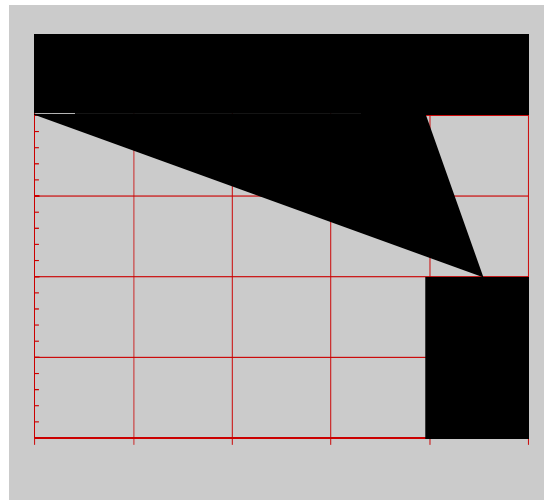
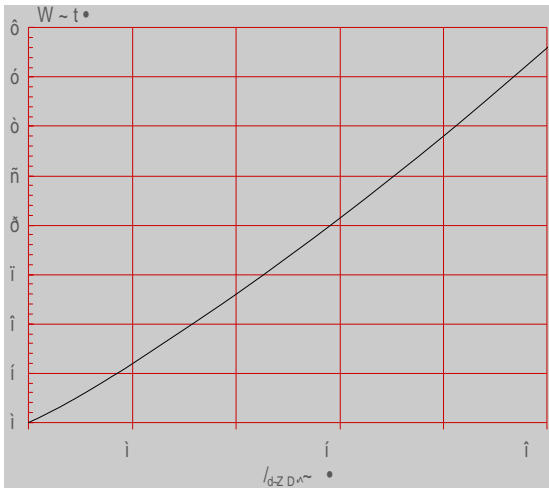


## MARKING



ACJT405  
XXX XXX









---

## ORDERING INFORMATION



# PACKAGE MECHANICAL DATA

