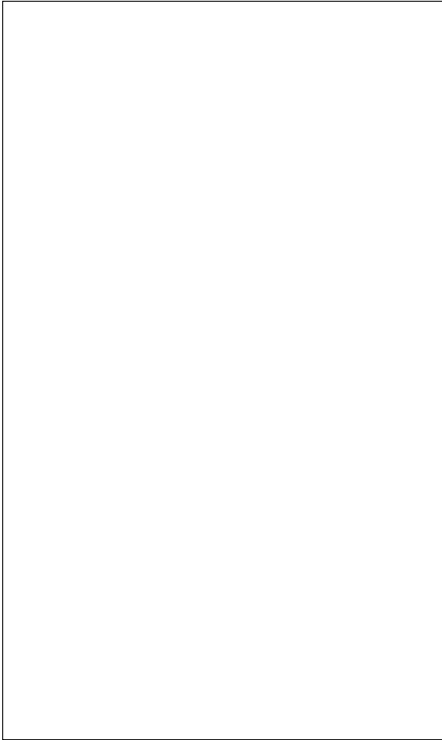




ACJT1210-104 0 Td [( )8.3 04 0 Td [( )8.3 ( )8.3 ( )]TJ 0.2235303 Tw4 0 0 14..9

AC switching. It can be used as an ON/OFF function in applications such as heating regulation, induction motor



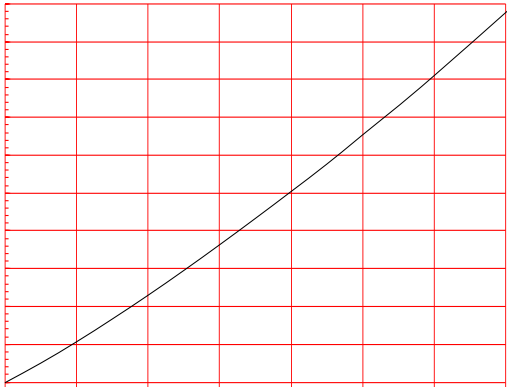
Peak pulse voltage ( $T_j=25$ ; non-repetitive, off-state; FIG.7)	$V_{pp}$	4.5	kV
--	----------	-----	----

ELECTRICAL CHARACTERISTICS ( $T_j=25$  unless otherwise specified)

**Symbol**    **Test Condition**    **Quadrant** 4N ET Q 0 Tw 4.451.83d <010-3.(n2]TJ EMC /P.



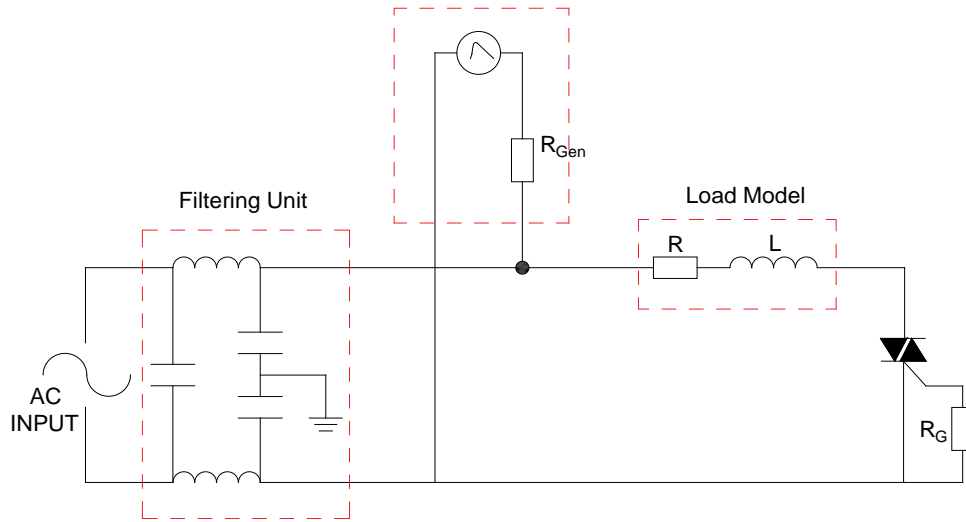
**FIG.1:** Maximum power dissipation versus RMS on-state current



**FIG.2:** RMS on-state current versus case temperature

FIG.7 Test circuit for inductive and resistive loads to IEC-61000-4-5 standards

IEC61000-4-5 Standards  
Surge Generator



**ORDERING INFORMATION**





