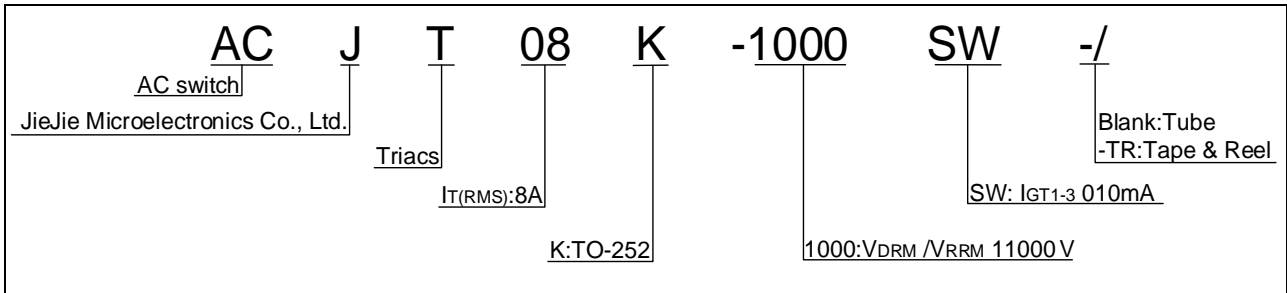


			Unit
			V
Repetitive peak reverse voltage ( $T_j=25$ )	$V_{RRM}$	1000	V
RMS on-state current ( $T_c$ 0106 )	$I_{T(RMS)}$	8	A
Non repetitive surge peak on-state current full cycle , $t_p=20ms$ , $T_j=25$ )	$I_{TSM}$	80	A
Non repetitive surge peak on-state current full cycle , $t_p=16.6ms$ , $T_j=25$ )		88	
$I^2t$ value for fusing ( $t_p=10ms$ , $T_j=25$ )	$I^2t$	32	$A^2s$
Critical rate of rise of on-state current $I_G=2 \times I_{GT}$ , $f=100Hz$ , $T_j=125$ )	$di/dt$	100	A s
Peak gate current ( $t_p=20$ s , $T_j=125$ )	$I_{GM}$	4	A
Average gate power dissipation ( $T_j=125$ )	$P_{G(AV)}$	0.5	W
Peak gate power	$P_{GM}$	10	W



ORDERING INFORMATION



MARKING

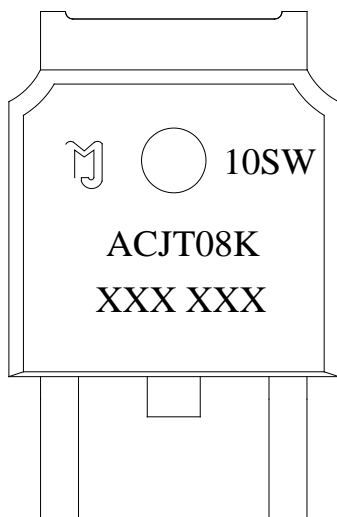
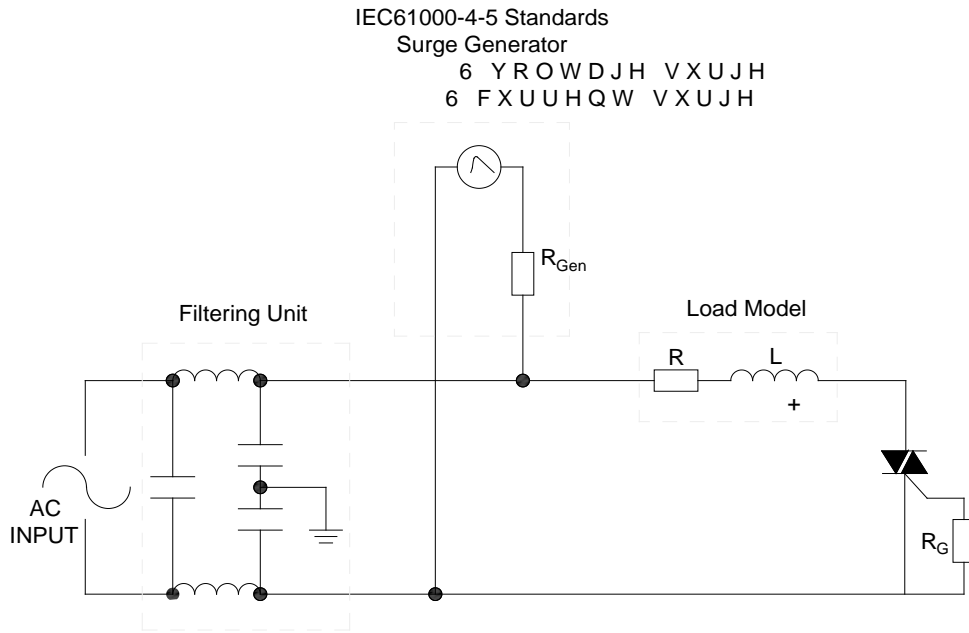
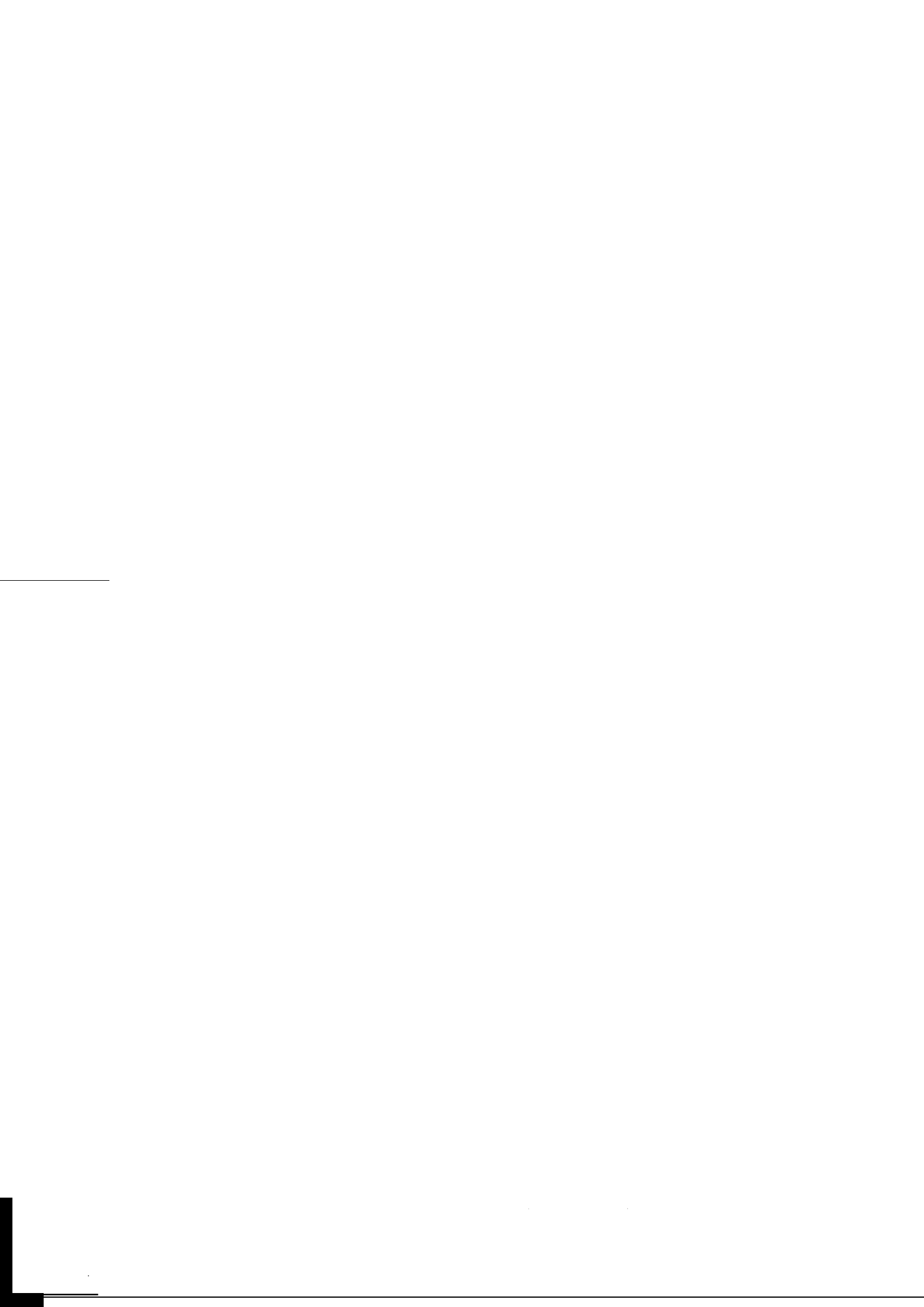






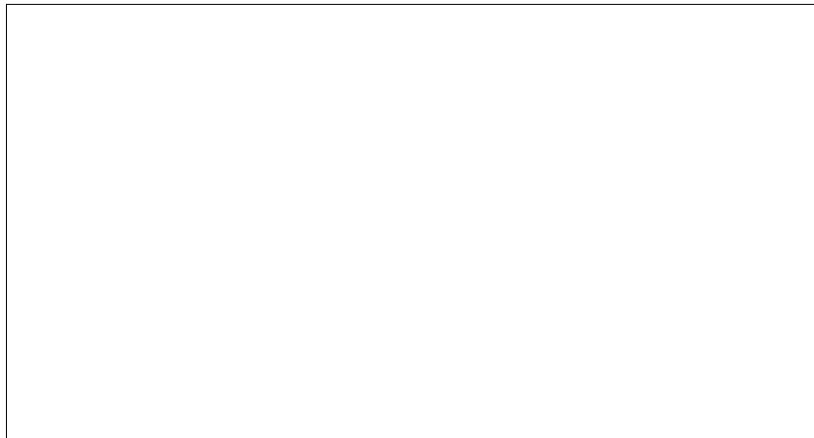
FIG.8 ÖTest circuit for inductive and resistive loads to IEC-61000-4-5 standards





## PACKAGE MECHANICAL DATA

Ref.	Dimensions					
	Millimeters			Inches		
	Min.	Typ.	Max.	Min.	Typ.	Max.
A	2.10		2.50	0.083		0.098
A2	0		0.15	0		0.006
B	0.66		0.86	0.026		0.034
B2	5.18		5.48	0.202		0.216
C	0.40		0.60	0.016		0.024
C2	0.44		0.58	0.017		0.023
D	5.90		6.30	0.232		0.248
D1						
E	6.40		6.80	0.252		0.268
E1	4.63			0.182		
G	4.47		4.67	0.176		0.184
G1	2.18		2.38	0.086		0.094
L	1.09		1.21	0.043		0.048
L2	1.35		1.65	0.053		0.065



DELIVERY MODE

