



DE 7+T 3 PR W]€F , G S \$@ PT 1p À 3+UÀ PTÀS S PS 33 S 6 R F

Isolation Voltage	V_{iso}	3750	Vrms
Operating Temperature	T_{opr}	-55~110	
Junction Temperature	T_j	125	
Storage Temperature	T_{stg}	-55~125	
Soldering Temperature	T_{sol}	260	
Peak pulse voltage ($T_j=25$; non-repetitive,off-state)	V_{pp}	1	kV

NOTE1: 100 μ s pulse, 100Hz frequency

NOTE2: AC for 1minute, R.H.=40~60%

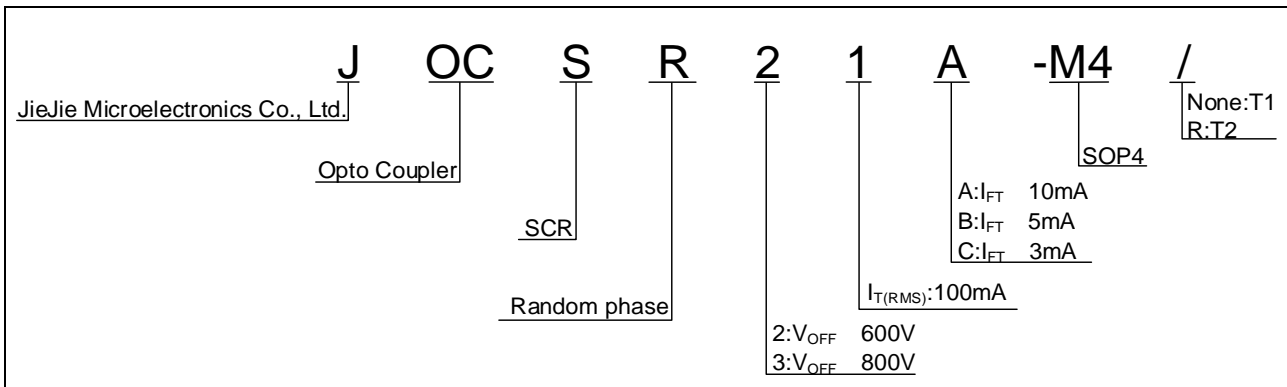
ELECTRICAL CHARACTERISTICS (Temperature=25°C)

Parameter		Symbol	Condition	Min.	Typ.	Max.	Unit	
Input	Forward Voltage	V_F	$I_F=10mA$	-	1.2	1.5	V	
	Reverse Current	I_R	$V_R=6V$	-	-	1	μA	
	Input Capacitance	C_{in}	$V=0, f=1kHz$	-	14	-	pF	
Output	Peak Off-state Current, Either Direction	I_{OFF}	$V_{OFF}=Rated V_{OFF}$ $I_F=0$	-	-	100	nA	
	Peak On-state Voltage, Either Direction	V_{TM}	$I_{TM}=100mA$	-	2	2.5	V	
	Critical Rate of Rise of Off-state voltage	dV/dt	$V_{PEAK}=Rated V_{PEAK}$ $I_F=0$	2000	-	-	V/ μ s	
Transfer Characteristics	LED Trigger Current	JOCSR21A JOCSR31A	I_{FT}	Terminal Voltage=3V $I_{TM}=100mA$	-	-	10	mA
		JOCSR21B JOCSR31B			-	-	5	
		JOCSR21C JOCSR31C			-	-	3	
	Holding Current	I_H	$I_{TM}=2mA,$ $I_F=Rated I_{FT}$	-	500	-	μA	
	Isolation Resistance	R_{ISO}	DC500V 40~60%R.H.	10^{12}	10^{14}	-		
	Floating Capacitance	C_{IO}	$V=0,$ $f=1MHz$	-	5	-	pF	
	Response Time	t_{on}	$V_D=6V,$ $R_L=100$, $I_F=20mA$	-	15	50	μs	

NOTE3: Test voltage must be applied within dV/dt ratings

NOTE4: Refer to Fig.14 & Fig.15

ORDERING INFORMATION



Packing Quantity	
Option	Quantity
None/R	3000 Units/Reel

MARKING



JOCSR21X,JOCSR31X



TEST CIRCUITS

FIG.12: Test Circuits of Turn On Time

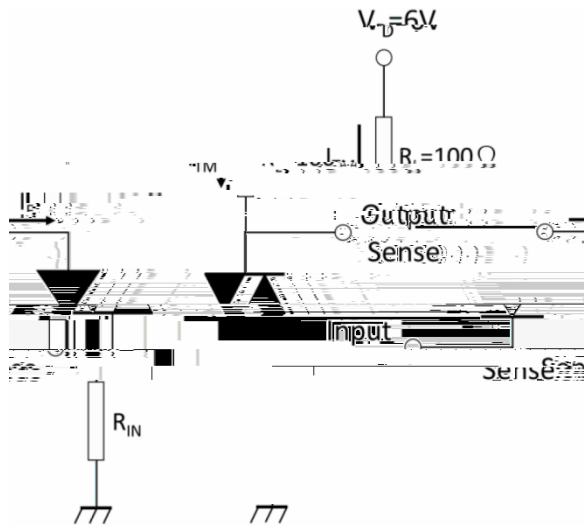


FIG.13: Waveforms of Turn On Time

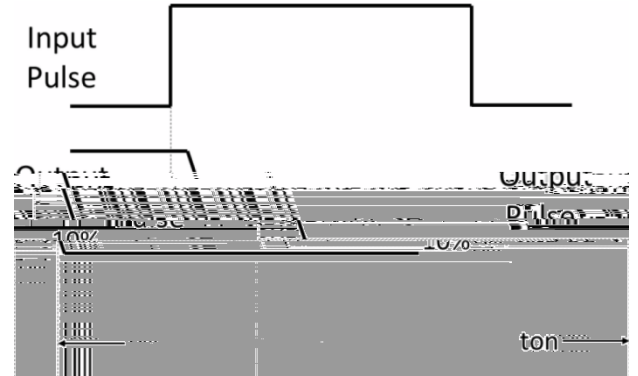


Fig.14: Test Circuits of dV/dt

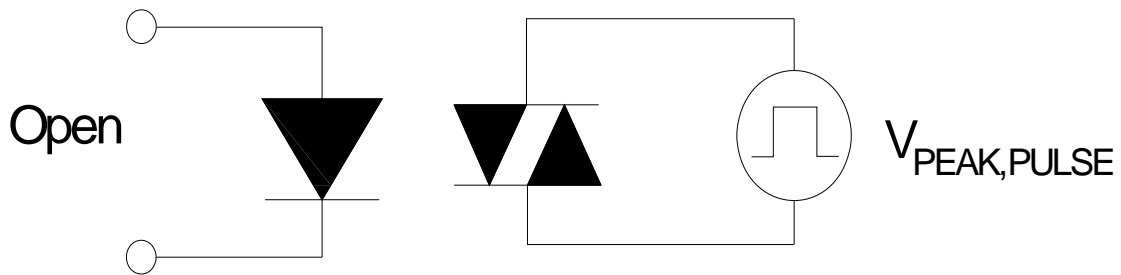


Fig.15: Waveforms of dV/dt

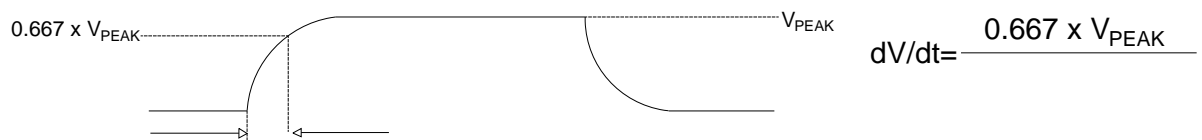
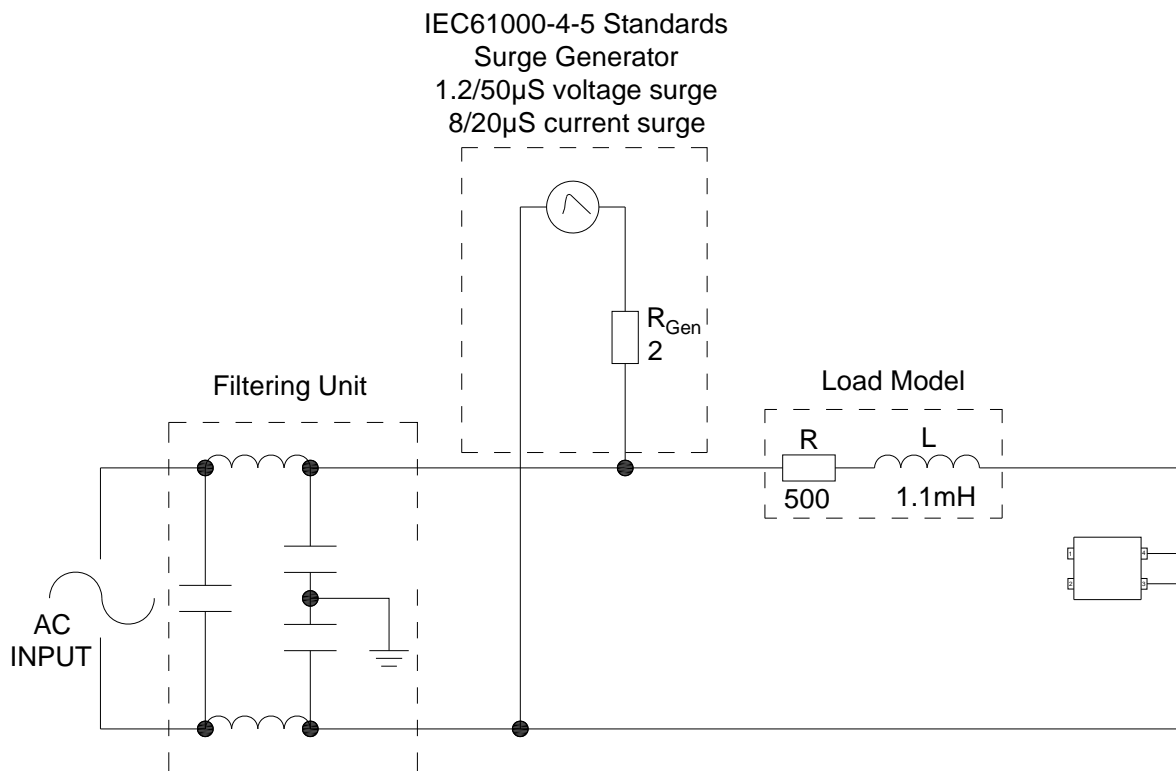
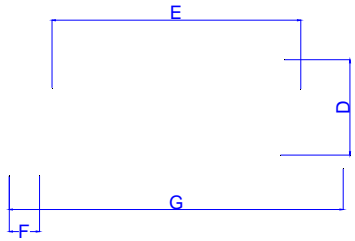
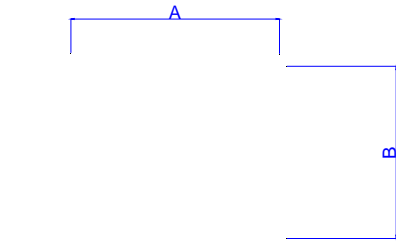


FIG.16: Test circuit for inductive and resistive loads to IEC-61000-4-5 standards



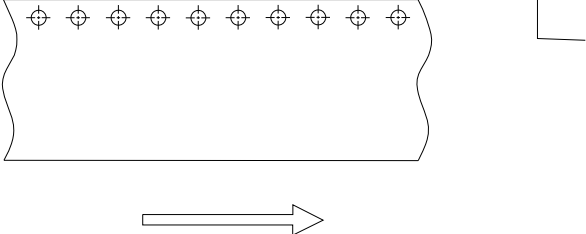
Package Dimension (Unit: mm)



Ref.	Dimensions					
	Millimeters			Inches		
	Min.	Typ.	Max.	Min.	Typ.	Max.
A	4.40		4.80	0.173		0.189
B	3.60		4.20	0.142		0.165
C						
E						
G	6.70			0.264C	i	4
I						

CARRIER TAPE SPECIFICATIONS (Dimensions in mm unless otherwise stated)

Option None



JOCSR21X,JOCSR31X

Note:

1. Reflow soldering is recommended at the temperatures and times shown, no more than three times.
2. Avoid direct contact between the epoxy body and any tools or surfaces exceeding its maximum storage temperature.
3. Application of pressure on the epoxy body is prohibited at elevated temperatures. In specific scenarios, any applied force must not exceed 2.5N.
4. Ensure the component has cooled to ambient temperature before proceeding with any subsequent manufacturing steps.
5. The component has a shelf life of one year when stored under standard conditions.
6. Recommend storage Temp.: 0~40°C;
Recommend storage humidity: <60%;
MSL level: MSL 1

Information furnished in this document is believed to be accurate and reliable. However, Jiangsu JieJie Microelectronics Co., Ltd. assumes no responsibility for the consequences of use without consideration for such information nor use beyond it. Information mentioned in this document is subject to change without notice, apart from that when an agreement is signed, Jiangsu JieJie complies with the agreement.

Products and information provided in this document have no infringement of patents. Jiangsu JieJie assumes no respons