



Description

JM P-channel MOSFET

Features

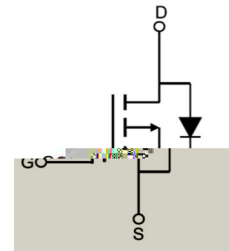
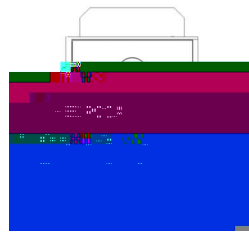
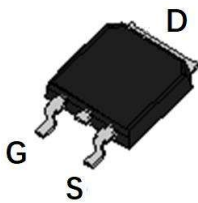
- J_{SG} 1.8S F₃ 1* S₅
- F_{SG} 0.9) a 4 J; g 1!() J
- F_{SG} 0.9) a 4 J; g 1!() J
- < I \ Dck Yf Ub X 7i f f b h k Ub X h j 7 U d U j h i
- @ M X: f Y D e X V i g 5 W i f Y X
- G f L W A c i h D U W j Y

Application

- DKA 5 d f j M j c h g
- @ C U X G k j W



100% UIS TESTED
100% V_{ds} TESTED



HC!& 88D5? H e d j M k A U f _ h j U b X d p 5 g g j b a Y h G W a U j M S j U f u a

Package Marking and Ordering Information

Device Marking	Device	OUTLINE	Device Package	Reel Size	Reel (PCS)	Per Carton (PCS)
>AHP) SD685	>AHP) SD685	H5DB;	HC!& &	% j W	& S S	& Z S S

Absolute Maximum Ratings

Symbol	Parameter	Max	Units
J _{SG}	8 f U p G c i f W J c h j Y	! S S	J
J _{CG}	; U E G c i f W J c h j Y	- % &	J
f ₃	7 c b l h i c i g 8 f U p 7 i f f b h i	H 1' & ° C	! * S
		H 1' % S S ° C	! -
f _{3A}	D i g X 8 f U p 7 i f f b h i c h %	! & S	5
D _g	D c k Y f 8 g g d U l p b	H 1' & ° C	K
F _{>7}	H Y f a U F Y g j U b W Z > i b M j c b l e 5 a V j h i	& %	° C # K
H Z H ₁	C d M U j U b X G e f U Y H a c M U i f Y F U j Y	!) l e Z %	° C



Electrical Characteristics @ 25°C

Symbol	Parameter	Test Condition	Min	Typ	Max	Units
Off Characteristics						
I_{BFBCC}	I_{BFBCC}	$J, G1SIZ_1 1.5$!	!	!	J
I_{BGC}	I_{BGC}	$J_{SG} 1.5SIZ, G1SIZ$!	!	!	5
I_{BGG}	I_{BGG}	$J_{SG} 1SIZ, G1-1.5J$!	!	-!	b5
On Characteristics						
J, GHL	J, GHL	$J_{SG} 1J, GZ_1 1.5$!(!)	!%	J
F_{SGHL}	F_{SGHL}	$J, G1() JZ_1 1.5$!	*!	,)	a
		$J, G1() JZ_1 1.5$!	,	%	
Dynamic Characteristics						
τ_{eg}	τ_{eg}	$J_{SG} 1.5SIZ, G1SIZ$ $ZI \%SA < n$!	(-S	!	d
τ_{cg}	τ_{cg}		!)S	!	d
τ_{fg}	τ_{fg}		!	((S	!	d
E_l	E_l	$J_{SG} 1.5SIZ_1 1.5Z$ $J, G1() J$!	(*	!	b7
E_{lg}	E_{lg}		!	+!	!	b7
E_{lx}	E_{lx}		!	%	!	b7
Switching Characteristics						
t_{BHL}	t_{BHL}	$J_{SS} 1.5SIZ_1 1.5Z$ $F, GB1\& Z$ $J, G1.5J$!	,	!	bg
t_b	t_b		!)-	!	bg
t_{BHL}	t_{BHL}		!	%%	!	bg
t_b	t_b		!	(!	bg
Drain/Source Diode Characteristics and Maximum Ratings						
τ	τ		!	!	!*S	5
τ_A	τ_A		!	!	!&S	5
J_{GS}	J_{GS}	$J, G1SIZ_1 1.5$!	!	!%	J
H_f	H_f	$H1S \text{ } ^\circ C Z_{SS} 1.5Z$ $J, G1S$ $X\%1.5S\#g$!	%	!	bg
E_{ff}	E_{ff}		!	+!	!	b7

I_{BFBCC} @ $V_{GS} = 1.5V, I_{BGC} = 1.5mA, I_{BGG} = 1.5mA$
 I_{BGC} @ $V_{GS} = 1.5V, I_{BFBCC} = 1.5mA, I_{BGG} = 1.5mA$
 I_{BGG} @ $V_{GS} = 1.5V, I_{BFBCC} = 1.5mA, I_{BGC} = 1.5mA$



Typical Performance Characteristics

Figure 1: Typical Performance Characteristics

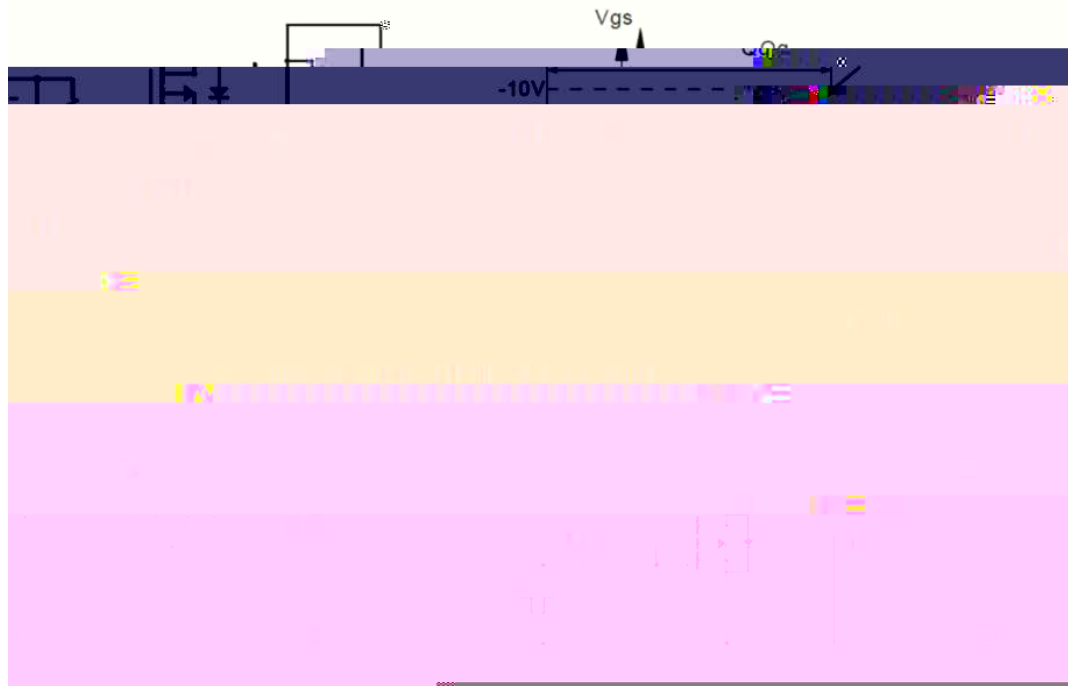
1) J

!JscfLL

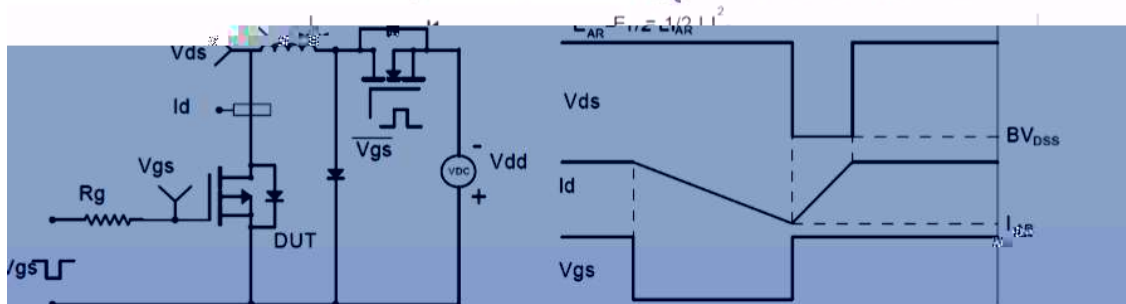
\$



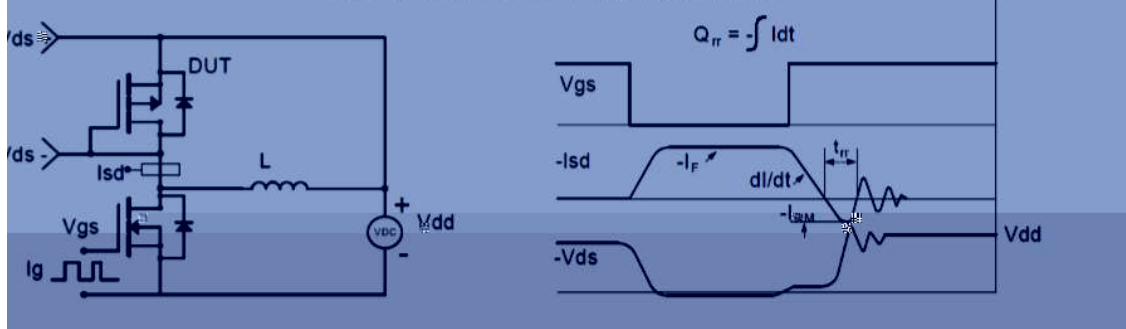
Gate Charge Test Circuit & Waveform



Unclamped Inductive Switching (UIS) Test Circuit & Waveforms



Diode Recovery Test Circuit & Waveforms



Package Mechanical Data

